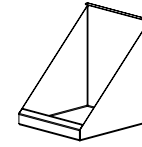
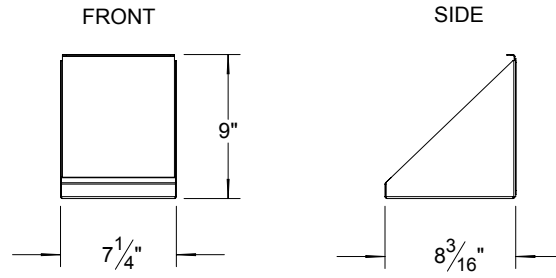


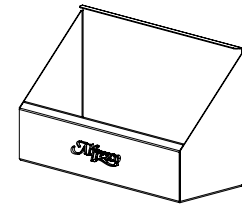
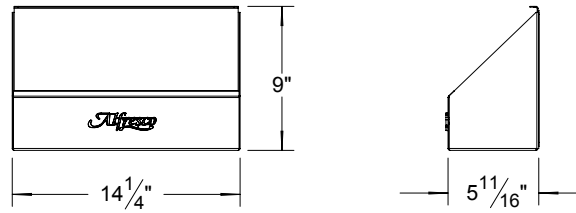
ACCESSORIES FOR AGBC-30 UNIT:

BAR PACKAGE:

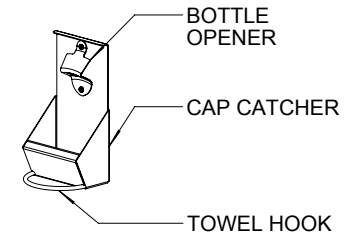
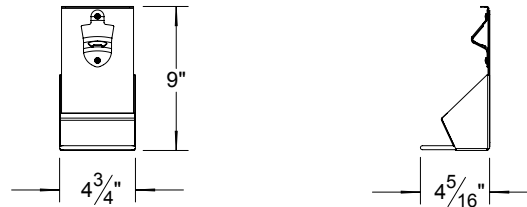
BLENDER SHELF
510-0353



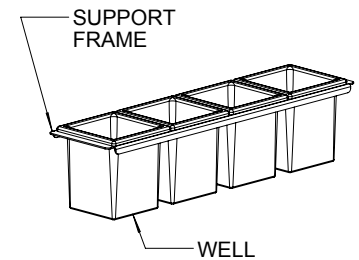
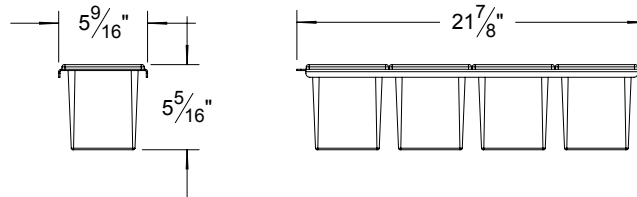
SMALL SPEED RAIL
510-0355



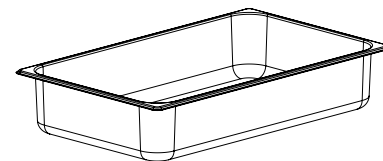
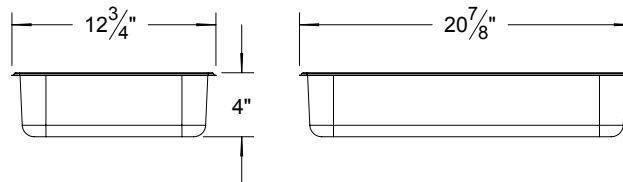
BOTTLE OPENER
510-0356



BOTTLE WELLS
510-0371



ICE PAN
290-0131

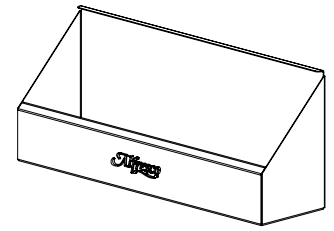
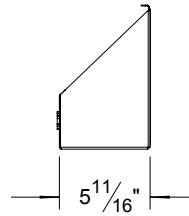
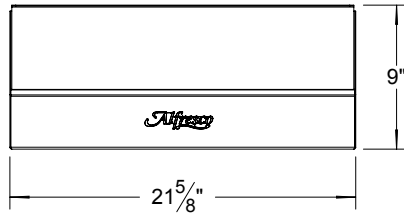


SINK PACKAGE

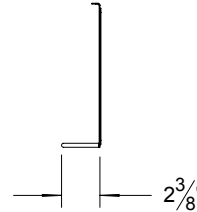
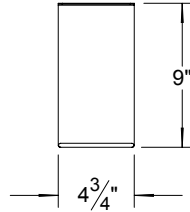
FRONT

SIDE

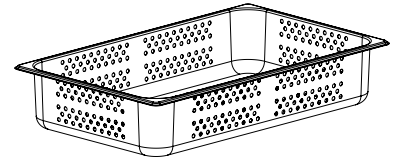
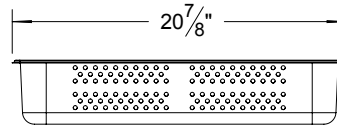
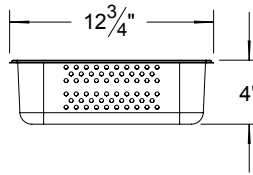
LARGE SPEED RAIL
510-0367



TOWEL BAR
510-0397



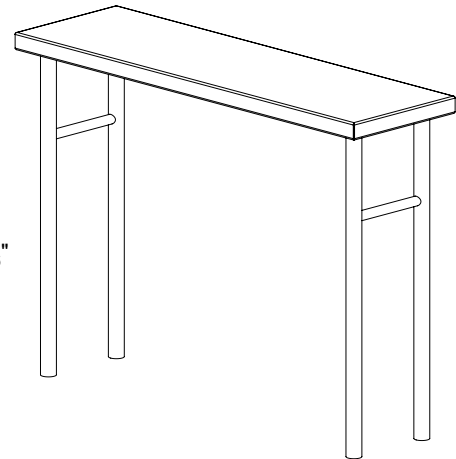
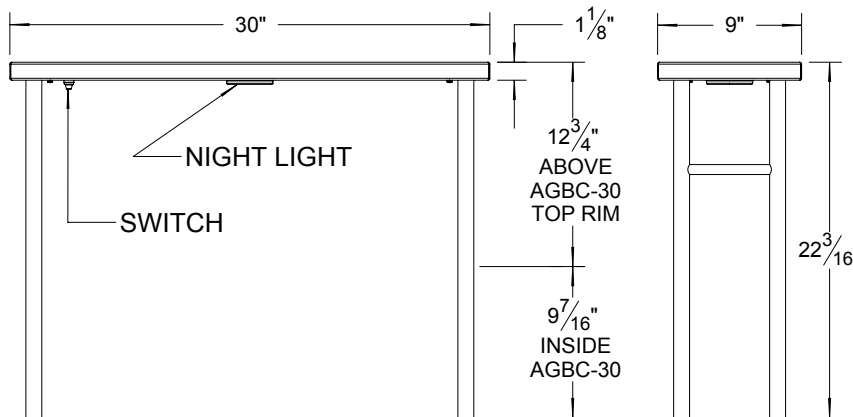
COLANDER PAN
290-0243



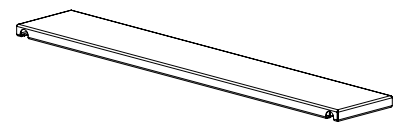
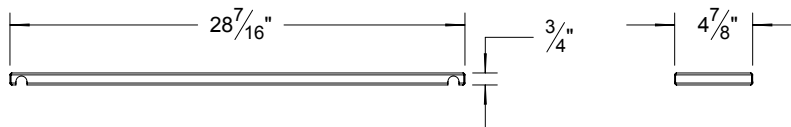
ADDITIONAL ACCESSORIES:

SERVING SHELF
510-0360

NOTE:
THE SERVING SHELF
REQUIRES A 115 VAC
OUTLET INSTALLED
UNDER THE AGBC-30
UNIT FOR PROPER
INSTALLATION.



MIDDLE SHELF
510-0372



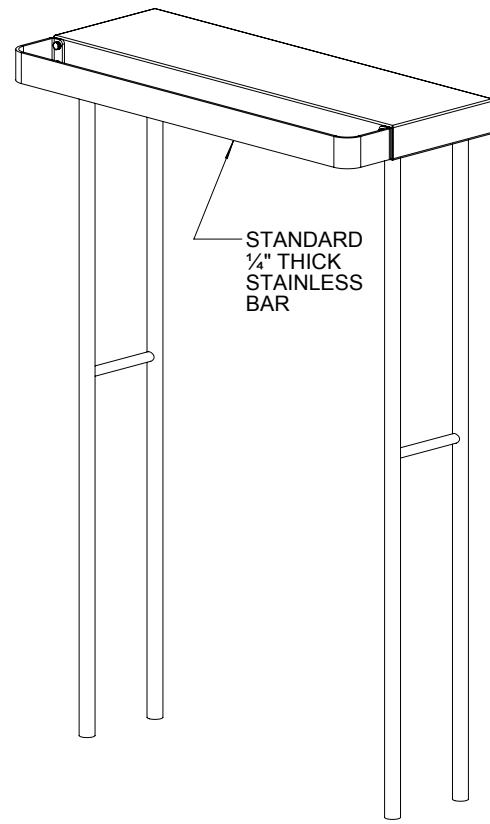
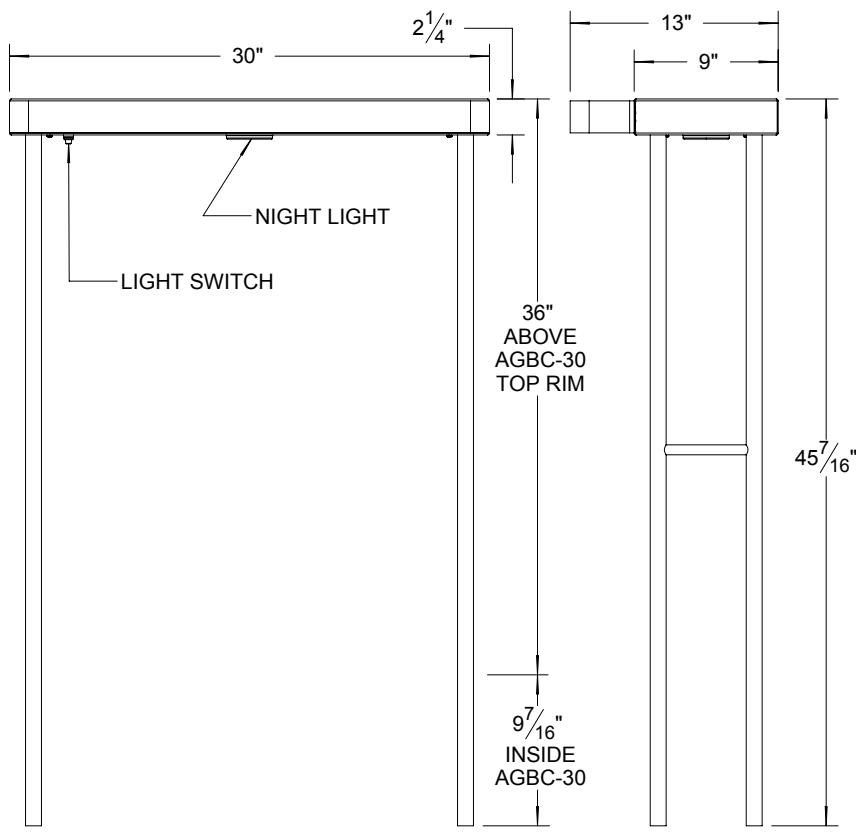
NOTE:
• THE MIDDLE SHELF REQUIRES THE SERVING SHELF SHOWN ABOVE OR THE POT RACK HOLDER SHOWN ON PAGE 4.
• THE MIDDLE SHELF IS INSTALLED IN BETWEEN THE CROSS BARS FOR ADDITIONAL STORAGE.

DISPLAY SHELF
510-0370



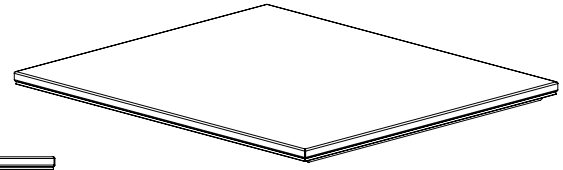
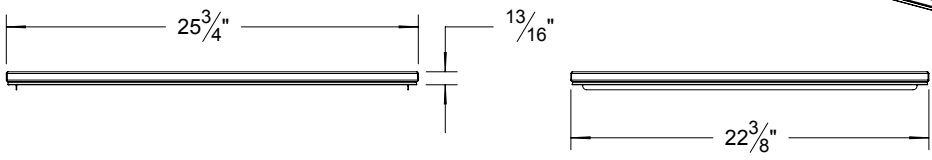
NOTE:
THE DISPLAY SHELF IS INSTALLED ON THE SUPPORT LEGS OF THE SERVING SHELF OR THE POT RACK HOLDER SHOWN ON PAGE 4.

POT RACK
510-0375



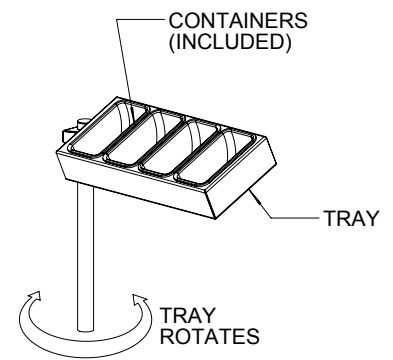
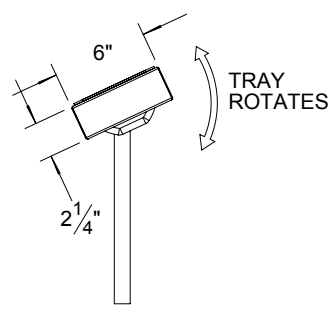
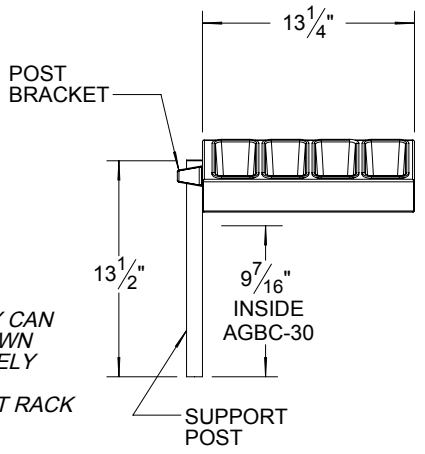
NOTE:
THE POT RACK
REQUIRES A 115 VAC
OUTLET INSTALLED
UNDER THE AGBC-30
UNIT FOR PROPER
INSTALLATION.

SINK COVER
510-0369



NOTE:
• THE SINK COVER FIT BETWEEN THE LEGS OF THE SERVING SHELF OR POT RACK HOLDER.
• THE SINK COVER FIT OVER THE BOTTLE WELLS AND CUTTING BOARD.
• REMOVAL OF THE ABOVE ITEMS IS NOT NECESSARY IN ORDER TO COVER THE SINK WELL.

CONDIMENT TRAY
510-0366



NOTE:
THE CONDIMENT TRAY CAN
BE MOUNTED IN IT'S OWN
POST OR ALTERNATIVELY
ON ANY LEG OF THE
SERVING TRAY OR POT RACK