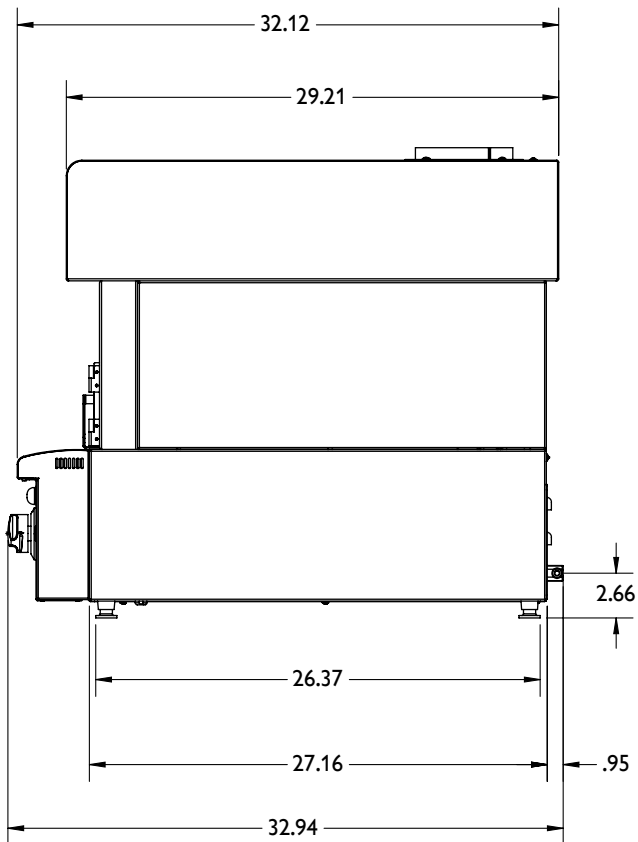
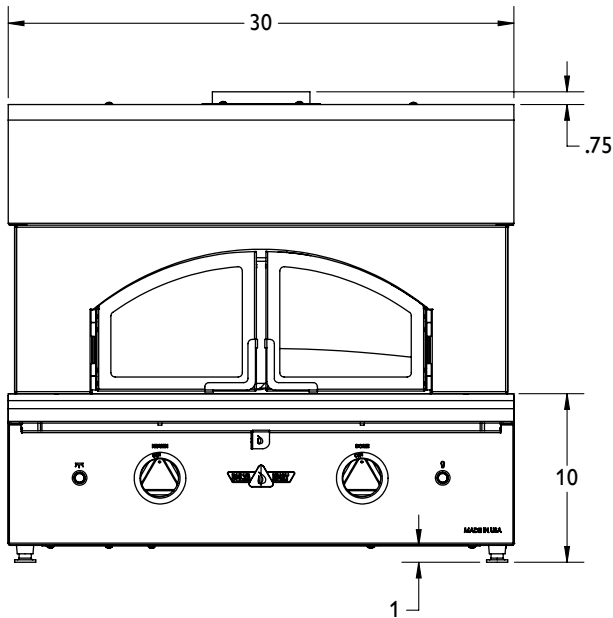


# DELTA HEAT PIZZA OVEN

DHPO30BI | 30 Inch Built-In Pizza Oven



## GENERAL

**Model** DHPO30BI  
**SKU** DHPO30BI(-L/N)

## POWER REQUIREMENTS

**Electrical Ratings** 120VAC, 3.0A, 60Hz  
**Cord Length** 6 feet  
**Receptacle** 3 prong grounding plug

## GAS REQUIREMENTS

Natural Gas or Liquid Propane  
**Gas Inlet** 3/8" Brass Flare  
**Total BTU** 43,000

## CLEARANCE REQUIREMENTS

**Non-combustible** Requires a minimum perimeter of 1" clearance to all sides

## CUTOUT DIMENSIONS

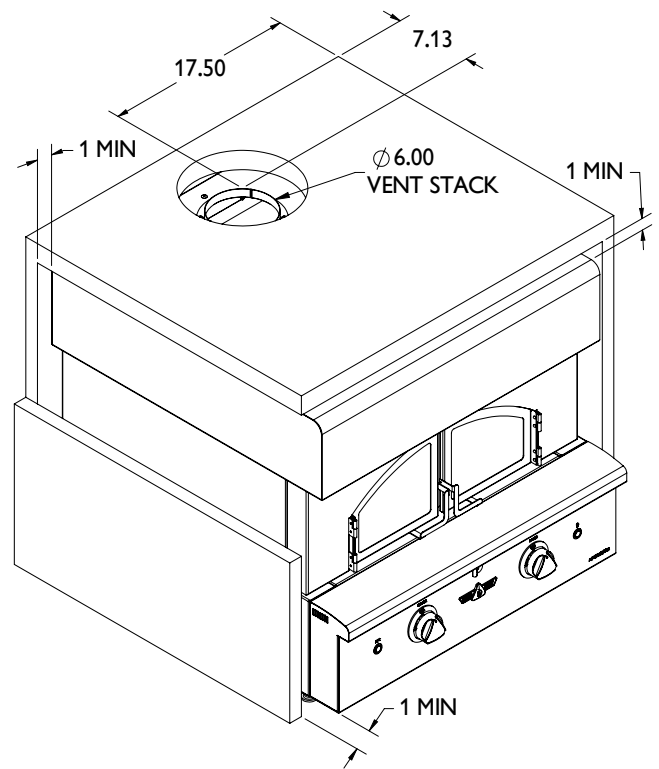
**Width - in.** 32.5" Min  
**Height - in.** 28.19" Min  
**Depth - in.** 28.50" Min

## BOX DIMENSIONS

**Box** 48-5/16 x 32-5/16 x 35-13/16 (inches)  
**Shipping Weight:** 266 lbs

## NON-COMBUSTIBLE INSTALLATION

Note: For detailed installation guide, refer to product manual.



PN: 4490050746A 11/24