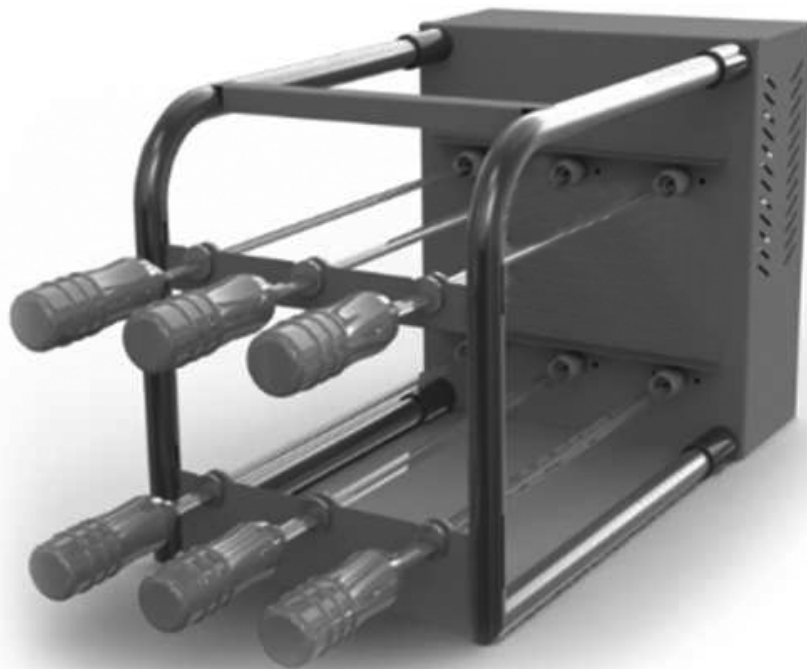




EL CHARRO PORTABLE ROTISSERIE KIT

MODEL #EC-22423

El Charro® is a registered trademark
All Rights Reserved.



Questions, problems, missing parts? Before returning to your retailer, chat with our service department at service@elcharro.co, 9 a.m. - 5 p.m., CST, Monday - Friday.

TABLE OF CONTENTS

Package Contents.....	4
Introduction	4
Safety Information.....	5
Preparation	6
Assembly Instructions	7
Assembling The Kit and Skewers.....	9
Cleaning The Rotisserie	10
Limited Warranty.....	10
Replacement Parts And Accessories	12

PACKAGE CONTENTS



A



B



C



D



E



F



G



H



I

INTRODUCTION

Please read and understand this entire manual before attempting to assemble, operate, or install the product.

Your El Charro has been engineered and manufactured to our high standard for dependability, ease of operation, and operator safety. When properly cared for, it will give you years of trouble-free performance. Please remember, this device is intended to be used with the Lil' Charro Grill stand. Save this manual for future reference!

NOTE: This manual applies to the El Charro EC-22423. Please visit www.elcharro.co for further information on assembly and specific use.



SAFETY INFORMATION

WARNING: Please read and understand all instructions before use.

Failure to follow all Warnings, Tips and instruction contained in this manual may result in electric shock, fire, and/or serious personal injury or property damage.

When using this unit, basic safety precautions should be followed, including the following:

1. Read all instructions and warnings before use.
2. Do not touch hot surfaces.
3. This unit should be properly assembled & positioned in accordance with these instructions before use.
4. The use of an accessory not evaluated for use with this product may cause injuries, property damage, or damage to the unit.
5. To protect against electric shock, do not immerse cords, plugs, or the appliance in water or any other liquid.
6. The cord should be arranged so that it will not be unintentionally pulled out, tripped over, or burned.
7. Close supervision is necessary when the unit is used near children or pets.
8. Do not use indoors! This EC-22423 is designed for outdoor use only. If used indoors, toxic fumes will accumulate and cause serious bodily injury or death and/or property damage.
9. Only use this EC-22423 outdoors in a well-ventilated area. Do not use in a garage, building, breezeway or any other enclosed area.
10. Do not use this EC-22423 under any overhead combustible construction.
11. Improper assembly may be dangerous. Please follow the assembly instructions in this manual. Do not use the EC-22423 unless all parts are in place.
12. You should exercise reasonable care when operating your EC-22423. It will be hot during cooking and should never be left unattended during use.
13. Do not leave infants, children or pets unattended near a hot EC-22423.
14. Do not attempt to move a hot EC-22423. Allow the grill to cool before moving.
15. Do not use this EC-22423 within five feet of any combustible material. Combustible materials include, but are not limited to wood or treated wood decks, patios and porches.
16. Do not wear flammable clothing or clothing with loose flowing sleeves while lighting or using the EC-22423.
17. Do not use the EC-22423 in high winds.
18. Keep the EC-22423 on a secure, level surface at all times, clear of combustible material.
19. Do not expose motor housing and gear assembly to direct heat or flame.
20. This device is designed with the intended use on a Lil' Charro grill stand. While it can be used on other heat sources, it may affect your warranty.
21. Do not store this device (especially the speed control) outdoors. Damage to this unit due to excessive moisture is not covered under warranty.

22. Keep the cooking area clear of flammable vapor and liquids, such as gasoline, alcohol, etc., and combustible material.
23. Handle and store hot electric starters carefully, if they are used.
24. Keep electrical wires and cords away from the hot surfaces of the EC-22423 and away from high traffic areas.
25. The use of alcohol, prescription or non-prescription drugs may impair the consumer's ability to properly assemble or safely operate the EC-22423.
26. This EC-22423 is not intended to be installed in or on recreational vehicles and/or boats.
27. This EC-22423 is not intended for and should never be used as a heater.
28. Using abrasive cleaners on the EC-22423 itself will damage the finish.
29. The EC-22423 should be thoroughly cleaned on a regular basis.
30. Unplug the EC-22423 from the power source when not in use or before cleaning.
31. Do not use the EC-22423 for other than its intended use.
32. Do not operate the EC-22423 with a damaged cord & plug.
33. Do not operate the EC-22423 if it should malfunction.
34. When using an extension cord, make sure it is not in contact with hot or sharp surface.
35. Outdoor extension cords should be marked with the letters "W-A" and a tag stating "Suitable for use with outdoor appliances".
36. Do not let cord hang over any sharp edge or hot surface.

FAILURE TO OBSERVE THESE WARNINGS AND FAILURE TO FOLLOW ALL TIPS AND INSTRUCTIONS CONTAINED HEREIN MAY CAUSE SERIOUS BODILY INJURY OR DEATH, OR A FIRE, ELECTROCUTION OR EXPLOSION RESULTING IN DAMAGE TO PROPERTY, INCLUDING THE PRODUCT ITSELF OR OTHER PROPERTY!!

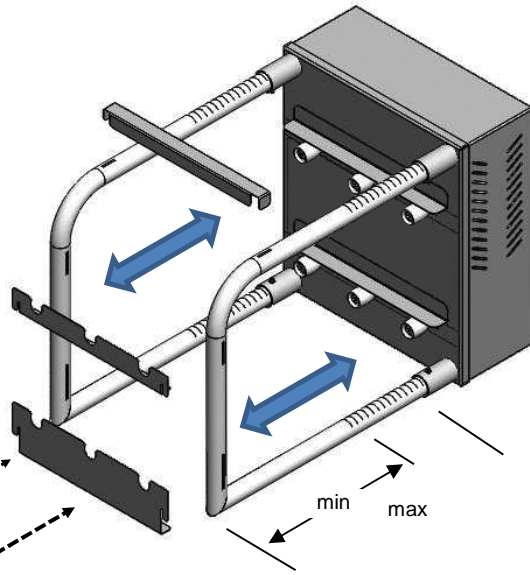
PREPARATION

Before beginning assembly of product, make sure all parts of the grill are present. Compare parts with contents list above. If any part is missing or damaged, do not attempt to assemble the product. Contact customer service for replacement parts.

Estimated Assembly Time: 5 minutes (All necessary tools are included.)

ASSEMBLY INSTRUCTIONS

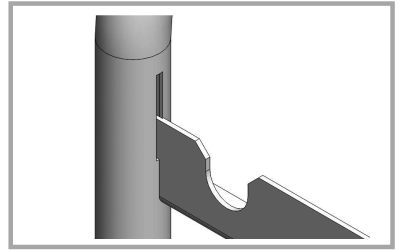
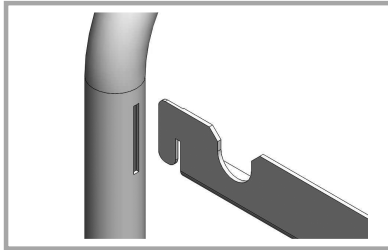
1. Fit the side arms to the chosen mark.



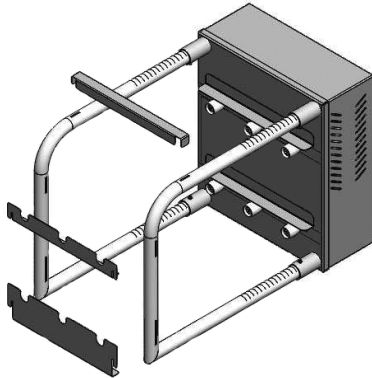
The side arms can be adjusted to fit the dimensions of your barbecue watching the extensions "max" and "min".

NOTE: The Lil' Charro is sized to fit the max width.

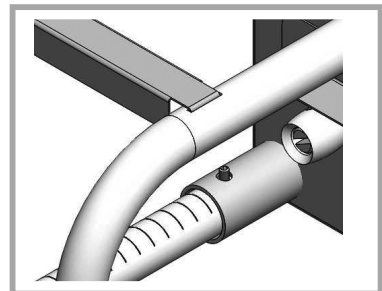
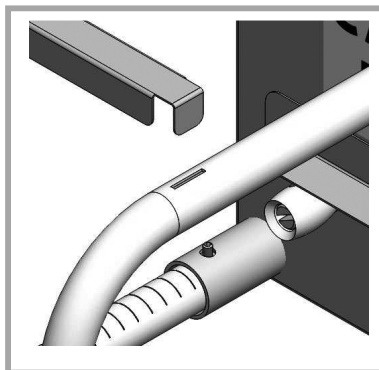
2. Fit the Top Support for Rotating Skewers.



3. Fit the Lower Support for Rotating Skewers.

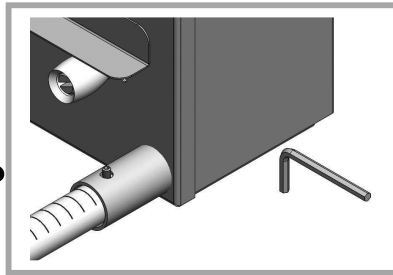


4. Fit the Support for Resting Skewers.

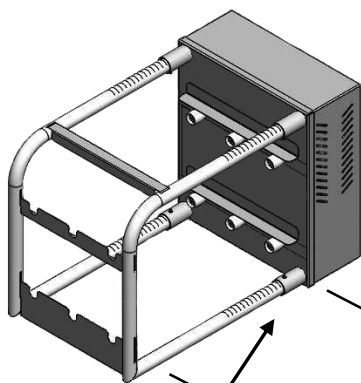
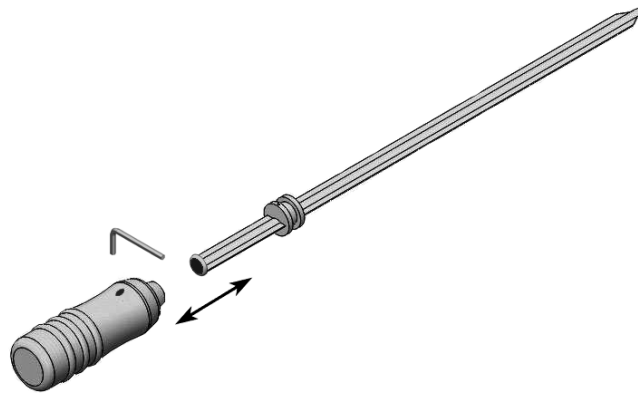


ASSEMBLY INSTRUCTIONS

5. Secure the side arms tightening the screws with the allen wrench. (included)

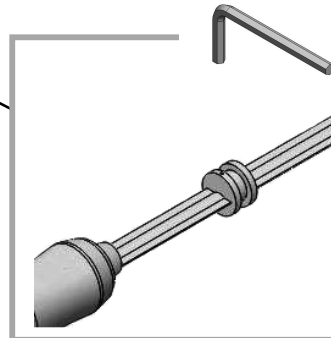


6. Insert the skewer into the skewer handle with the flat side facing the hex screw. Tighten the hex screw with the tool provided.

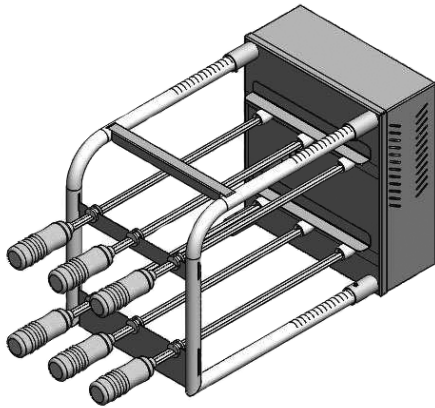


Skewers Stopper

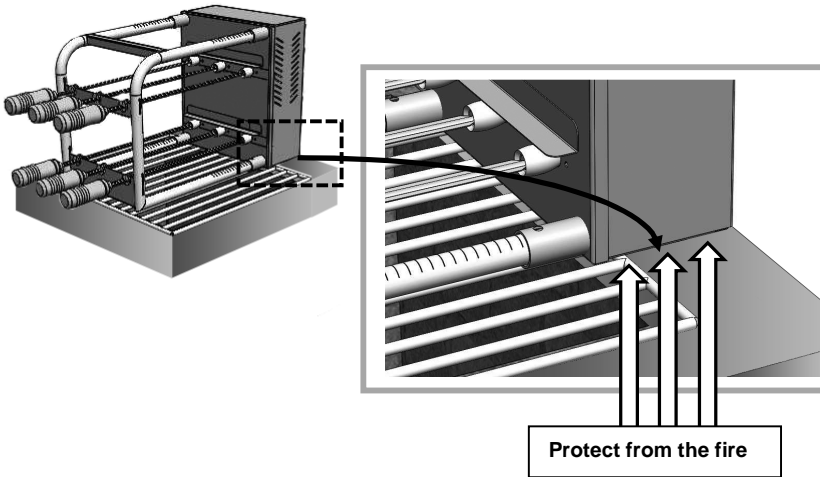
7. Adjust the Pulley of each skewer as the preset length in Side Arms. This adjustment must be done with the tips of the skewers fixed in the Skewers Stopper



ASSEMBLING THE KIT AND SKEWERS



8. The Pulley slides on the skewer blade. After defining the position set screw with the allen wrench 1/8 "



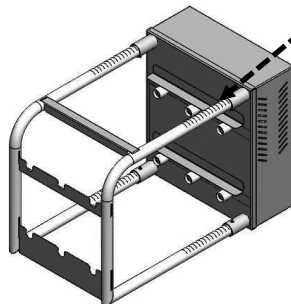
9. When installing the EL CHARRO - EC-22423 make sure that the Main Case gets as minimal exposure to direct flame as possible.

10. Connect the source of electric power. 120V

Plug connector into main case cord.



Plug connector into electrical outlet.



⚠ WARNING: When in use, the El Charro gets very hot. The skewer and grill handle can become very hot as well. Keep children away from the grill when in use! Use a cloth or wear oven mitts to hold the handles Do not touch any hot surfaces.

LIMITED WARRANTY

El Charro company warrants directly to you, the original consumer, that the El Charro purchased by you will be free from defects in materials and workmanship for a one year period from the date of delivery of the product. This warranty is not transferable and requires reasonable proof of purchase.

This warranty does not cover products that have been altered, serviced or repaired by any unauthorized service provider, including the consumer. Damage caused by normal use, rust, improper use, disassembly of parts, internal or external scratches, and/or excessive heat, is considered normal wear and tear and does not constitute defective materials or workmanship covered under this Limited Warranty. This Limited Warranty does not cover any failures or operating difficulties due to accident, abuse, misuse, alteration, misapplication, vandalism, improper installation or improper maintenance or service, or failure to perform normal and routine maintenance. Deterioration or damage due to severe weather conditions such as hail, hurricanes, earthquakes or tornadoes, discoloration due to exposure to chemicals, either directly or in the atmosphere, is not covered by this Limited Warranty. This Limited Warranty does not apply to lost or stolen products. This Limited Warranty shall be limited to the repair or replacement of parts which prove defective under normal use and service, and which upon examination shall indicate to the satisfaction of El Charro that they are defective.

El Charro does not authorize any repair or attempted repair by anyone other than El Charro, nor does it authorize any person or company to assume for it any other obligation or liability in connection with the sale, installation, use, removal, return or replacement of its products; and no such representations are binding on El Charro.


El Charro will repair or replace faulty products, at its sole discretion and as specified herein. If El Charro confirms the defect and approves the claim, it will elect to repair or replace such parts without charge to you. If you are required to return defective parts, transportation charges must be prepaid. El Charro will return warranted parts to the purchaser, carrier or postage prepaid.

THIS LIMITED WARRANTY IS EXPRESSLY IN LIEU OF ANY OTHER WARRANTIES, EXPRESS OR IMPLIED, INCLUDING ANY WARRANTY OF MERCHANTABILITY OR FITNESS FOR A PARTICULAR PURPOSE. REMEDIES UNDER THIS WARRANTY ARE LIMITED TO THE PROVISIONS OF MATERIAL AND SERVICES, AS SPECIFIED HEREIN. El Charro is not liable for any special, exemplary, indirect or consequential damages due to a failure or defect in workmanship or materials.

CLEANING THE ROTISSERIE

Make sure the fire is completely extinguished and the equipment has cooled off before cleaning. Never use water to extinguish the fire as it may damage the unit. To clean grill, use a wet cloth or a sponge with dishwashing liquid and or grill degreaser.

WARNING

 **WARNING:** Do not use any abrasive cleaning supply as it will scratch the grill. Do not pour water over the grill as it may damage the electrical parts.



www.ElCharro.co

REPLACEMENT PARTS AND ACCESSORIES

Visit www.ElCharro.co for any replacement parts and other accessories.