



Feel the Difference®

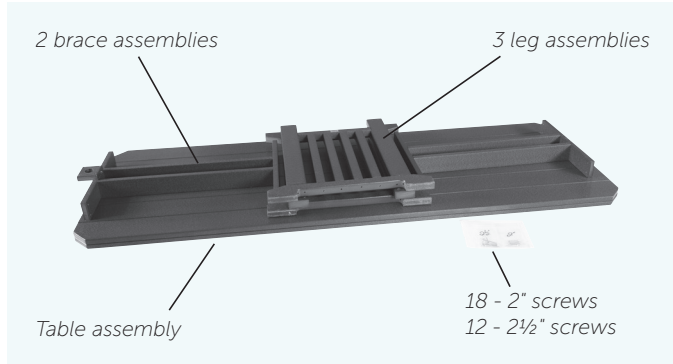
Assembly Instructions

8' Mission Table (MI-Ta-44x96)



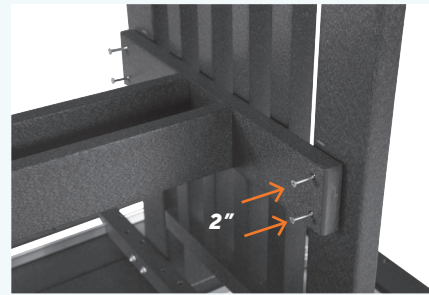
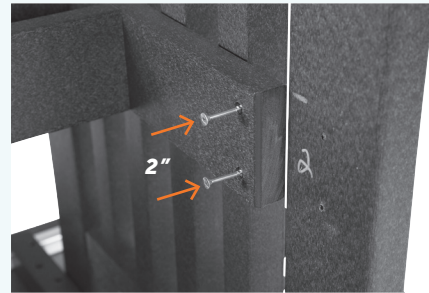
Tools Needed: Hammer, 7/16" wrench, #2 square bit screw driver or power driver, punch.
No drilling is required. All the necessary holes are pre-drilled. Bolts fit snugly in the holes.
You may need to use a hammer to drive the bolts through the holes.

Parts



Step 2 — Install Brace Assembly

2" Screws, Brace Assembly



Fasten brace assembly to legs with 2" screws by matching numbers.

Step 1 — Fasten Leg Assemblies

2 1/2" Screws



Lay tabletop upside down on a protected surface such as cardboard or blankets. Fasten legs to tabletop with 2 1/2" screws by matching numbers.



Congratulations!
Your **8' Mission Table**
is ready to enjoy!