



Feel the Difference®

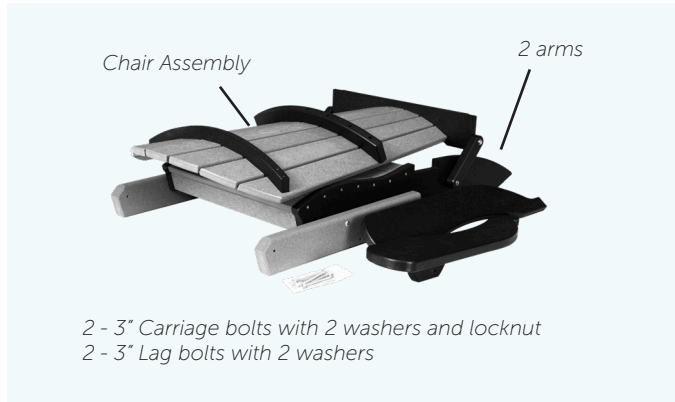
# Assembly Instructions

## SeaAira Folding Adirondack Chair — Page 1

**Tools Needed:** hammer, 7/16" wrench, No drilling is required. All the necessary holes are predrilled. Bolts fit snugly in the holes. You may need to use a hammer to drive the bolts through the holes. When installing screws, tighten till the head goes slightly below the surface.

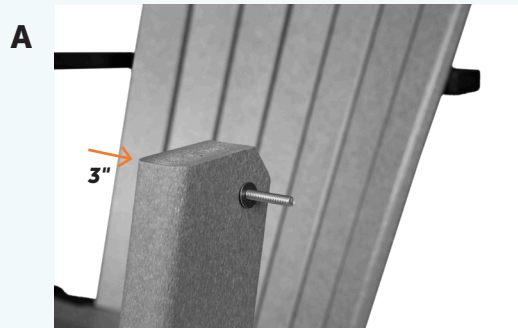


### Parts



### Step 2 — Fasten the front of the arms

2 - 3" Carriage bolts with 2 washers and locknut, 2 arms



A. Place a 3" carriage bolt through the hole at the top of the leg with the bolt head on the inside of the leg. Tap the bolt head with a hammer to set it firmly against the leg. Place a washer on the threaded end of the bolt.

### Step 1 — Unfold the chair assembly

Chair assembly



A. Place the chair assembly on a protected surface such as cardboard or blankets. Fold the back of the chair assembly upright and lodge the bottom of the chair back into place in the bottom.

B. Fold out the front chair legs so that the chair stands upright.



B. Place the arm assembly on the bolt using the pilot hole. Place a washer plus locknut on the outside of the bolt and screw the locknut securely onto the bolt. Repeat for the other arm.

Continued on back



Feel the Difference®

# Assembly Instructions

SeaAira Folding Adirondack Chair — Page 2

## Step 3 — Fasten the back of the arms

2 - 3" Lag bolts with 2 washers



Fasten the back of the arms to the chair back using the 3" lags. Place a washer on the lag. Then insert the lag into the arm. Place a second washer on the lag. Tighten the lag securely to the chair back. Be sure your lag follows the pilot hole in the back.

NOTE: You must place a washer between the fastener heads and between the two pieces of poly wood so the chair folds easily.



Congratulations!  
Your **SeaAira Folding Adirondack Chair** is ready to enjoy!