



Feel the Difference®

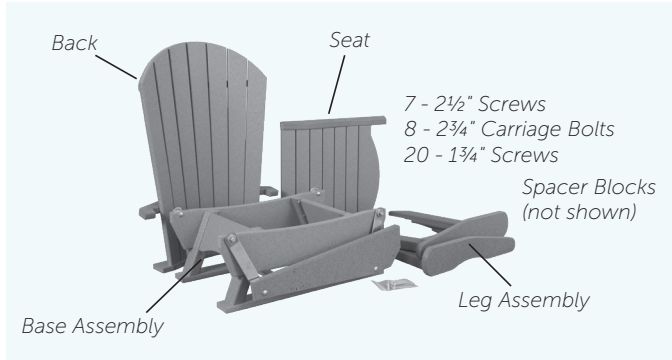
Assembly Instructions

SeaAira Adirondack Single (SE-GI) & Double Glider (SE-GID)— Page 1



Tools Needed: hammer, 7/16" wrench, #2 square bit screw driver or power driver, punch.
No drilling is required. All the necessary holes are predrilled. Bolts fit snugly in the holes.
You may need to use a hammer to drive the bolts through the holes.

Parts

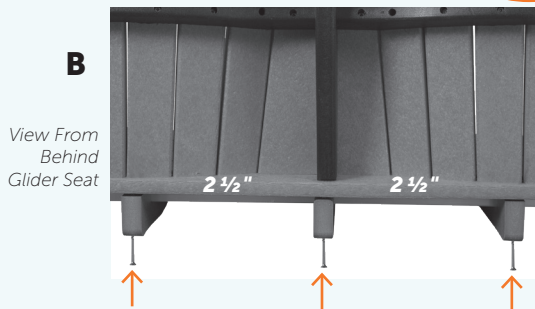
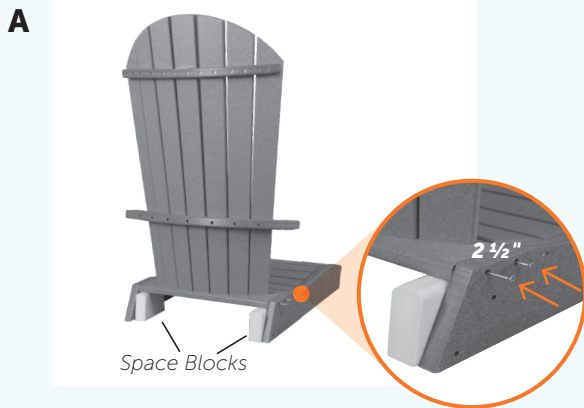


Step 2 — Fasten Legs to Seat

2 3/4" Bolts for Single Glider, 3 1/2" Bolts for Double Glider, Front Legs

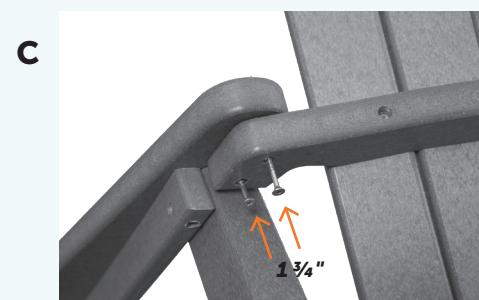
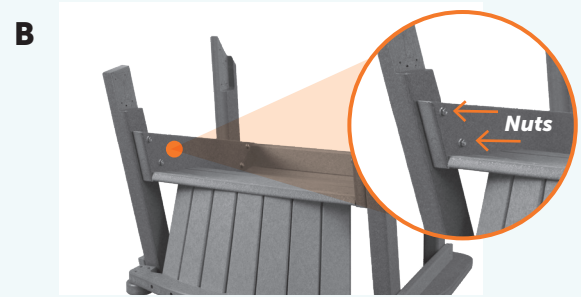
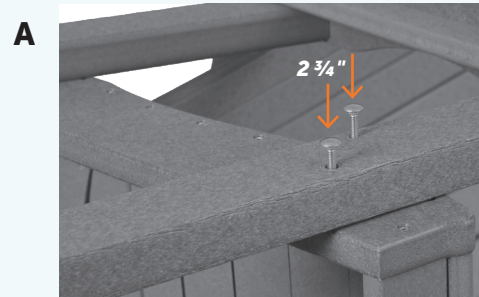
Step 1 — Fasten Seat to Back

2 1/2" Screws, Seat, Back, Spacer Blocks



Place the seat assembly on a clean flat work surface.
A. Lay the parts on a protected surface such as cardboard or blankets to assemble them. Place the two spacer blocks close to the side rails of the seat assembly where the back attaches. Set the back on top of the spacer blocks. Position the back against the back seat slat. Fasten with the four 2 1/2" screws using the pilot holes in the seat side rail.

B. Double glider only: Using the pilot holes place three 2 1/2" screws in the bottom of the seat assembly to secure it to the back.



A. Push carriage bolts through the holes in the leg assembly. Set seat on edge. Fit the leg assembly onto side of seat. Tap the bolt heads with a hammer to set them firmly against the leg.
B. Place the nuts on the bolts and tighten securely.
C. Where the arms meet the back assembly, there are 2 pilot holes to insert screws on each side. The rear pilot hole on the back assembly must align with the mark on the arm bottom. Using 1 3/4" screws, install the rear screw first, then the second screw. Repeat this step for the other side.

Continued on back



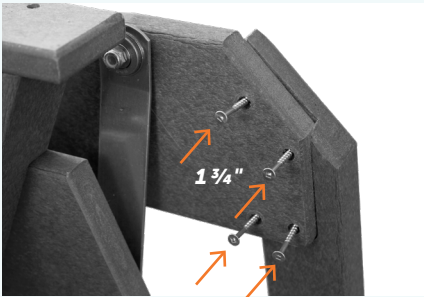
Feel the Difference®

Assembly Instructions

SeaAira Adirondack Single (SE-GI) &
Double Glider (SE-GID)— Page 2

Step 3 — Attach Base

1 3/4" Screws, Base Assembly



Position chair upside down on your work surface. Place the base assembly snugly into the leg assembly. Secure the base assembly with four 1 3/4" screws in each leg using the pilot holes.



Congratulations!
Your **SeaAira Adirondack Glider**
is ready to enjoy!