



Feel the Difference®

Assembly Instructions

SeaAira Child's Rocker



Tools Needed: #2 square bit screw driver or power driver, punch
No drilling is required. All the necessary holes are predrilled.

Parts

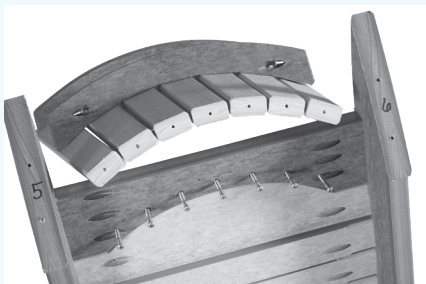
2 arm-runner assemblies



13 - 1 3/4" poly buster screws
4 - 3" flat head screws
2 - 1 1/2" flat head screws

Step 1 — Attach back assembly

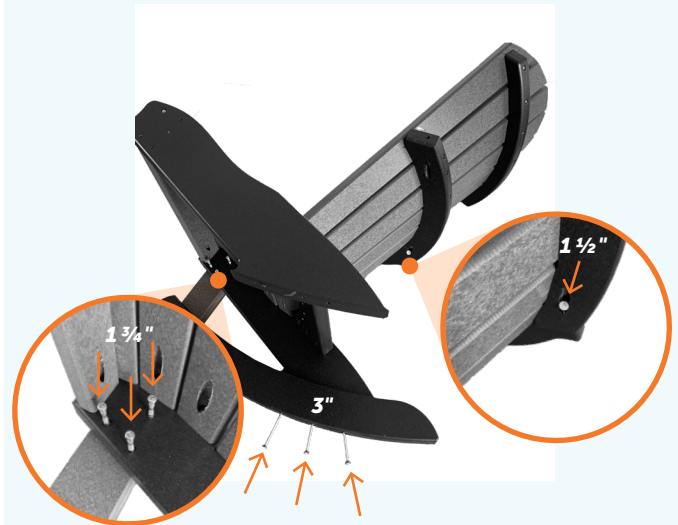
7 - 1 3/4" poly buster screws, back assembly, seat assembly



Lay the parts on a protected surface such as cardboard or blankets for assembly. Align the back assembly to be attached to the seat assembly; lining up the back slats of the back assembly with the slat pockets on the seat assembly. Attach the two assemblies using 1 3/4" poly buster screws.

Step 2 — Attach arm-runner assembly

6 - 1 3/4" poly buster screws, 4 - 3" flat head screws, 2 - 1 1/2" flat head screws, arm-runner assemblies



Fasten the legs using the 1 3/4" poly buster screws. Use 1 1/2" flat head screws to fasten the back of the arm to the seat back. Fasten the runner to the seat assembly using the 3" flat head screws. Repeat the step above with the second arm-runner assembly.



Congratulations!
Your **SeaAira Child's Rocker**
is ready to enjoy!