



Feel the Difference®

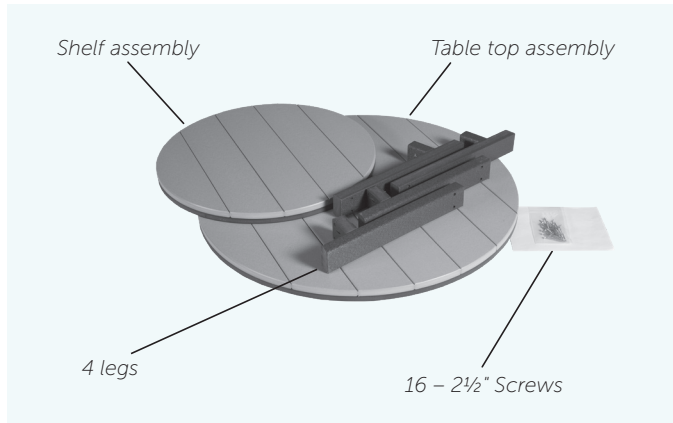
Assembly Instructions

38" SeaAira Conversation Table (SE-TaC-38r)
& 24" Bistro Table all Height (SE-TaB-Di),
(SE-TaB-Co), (SE-TaB-Ba)

Tools Needed: #2 square bit screw driver or power driver, No drilling is required. All the necessary holes are predrilled.

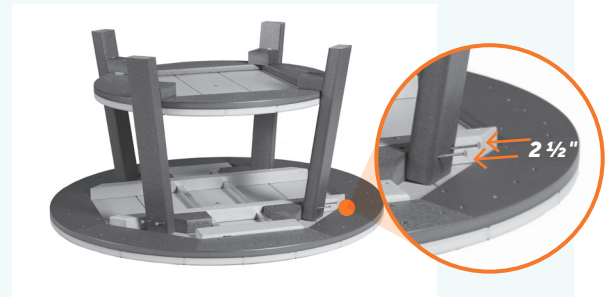


Parts



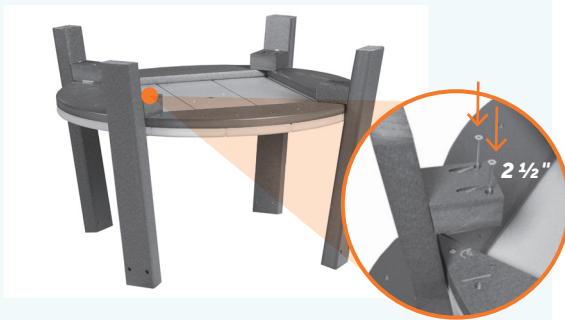
Step 2 — Fasten table top assembly

2 1/2" Screws, table top assembly



Step 1 — Fasten legs to shelf assembly

2 1/2" Screws, 4 legs, shelf assembly



Lay the parts on a protected surface such as cardboard or blankets to assemble them. It may be helpful to assemble the table upside down, as shown in steps 1 and 2. Match the numbers on the shelf assembly to the numbers on the legs. Fasten the four legs to the shelf assembly using the 2 1/2" screws.

Position the shelf assembly with legs on the top. Match the numbers on the table top assembly to the numbers on the legs. Fasten the legs to the table top assembly with the screws aligning to the predrilled holes.



Congratulations!
Your **SeaAira Conversation Table**
is ready to enjoy!