



Feel the Difference®

Assembly Instructions

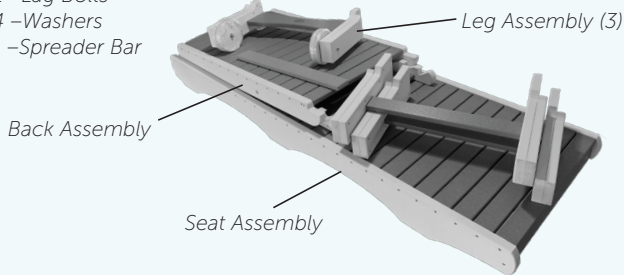
SunSurf Lounge



Tools Needed: Hammer, 7/16" wrench, #2 square bit screw driver or power driver, punch. No drilling is required. All the necessary holes are predrilled. Bolts fit snugly in the holes. You may need to use a hammer to drive the bolts through the holes.

Parts

- 24 – 1 3/4" Screws
- 4 – 2" Screws
- 2 – Lag Bolts
- 4 – Washers
- 1 – Spreader Bar



Step 2A — Attach Back Assembly

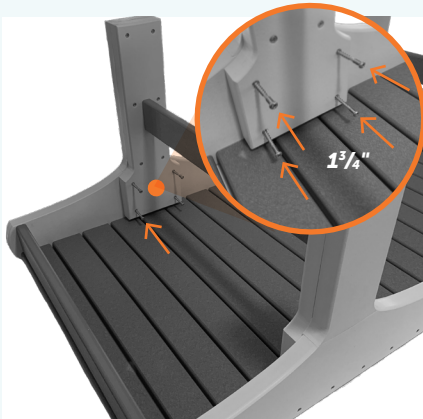
Lag Bolts, Spreader Bar, Washers



A. Flip the seat assembly so it is right-side-up and standing on the leg assemblies. Looking from the end of the seat assembly where the wheels are, insert the spreader bar beneath the last 2 slats, being sure to push the spreader bar so it rests beneath the 2nd to last slat. Place a washer on the lag bolt, and insert it into the pilot hole in the seat assembly where the last slat is. With the bolt barely through the pilot hole, carefully place a second washer on the lag bolt on the inside of the seat assembly.

Step 1 — Attach Leg Assemblies

1 3/4" Screws, Tabletop, Leg Assemblies



Lay the seat assembly upside down on a protected surface such as cardboard or blankets. Align leg assemblies by matching the leg assembly number to the corresponding number on the seat assembly. Secure leg assembly with (4) 1 3/4" screws using the pilot holes in the leg assembly. Repeat this for the other side of the leg assembly. Repeat this process for all 3 leg assemblies.

You're almost finished!

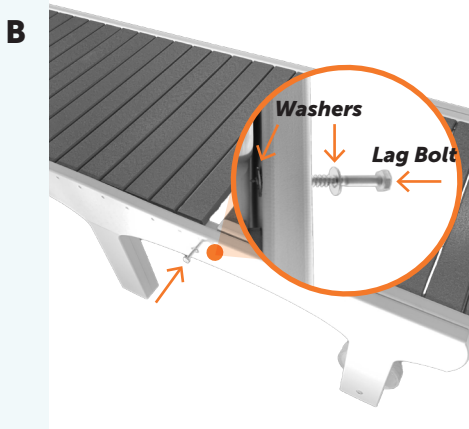


Feel the Difference®

Assembly Instructions

Step 2B — Attach Back Assembly

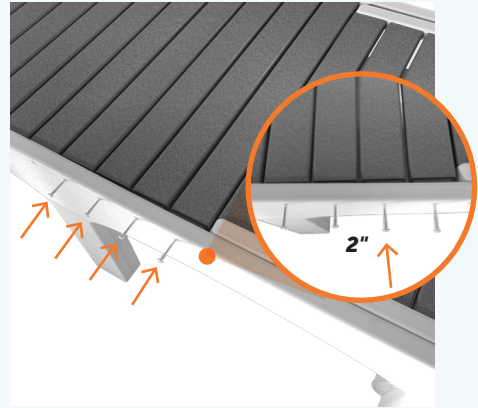
Lag Bolts, Spreader Bar, Washers



B. Insert the back assembly, being sure to match the pilot holes on the seat assembly with the pilot holes on the back assembly. Fasten 1 lag bolt. Begin fastening the second lag 1-2 turns. Remove the spreader bar, then finish tightening the second lag bolt.

Step 3 — Tighten Slats

2" Screws, Tabletop, Leg Assemblies



Using 4 - 2" screws, fasten the last 4 slats of the seat assembly using the pilot holes provided.



Congratulations!
Your **SunSurf Lounge**
is ready to enjoy!