



Feel the Difference®

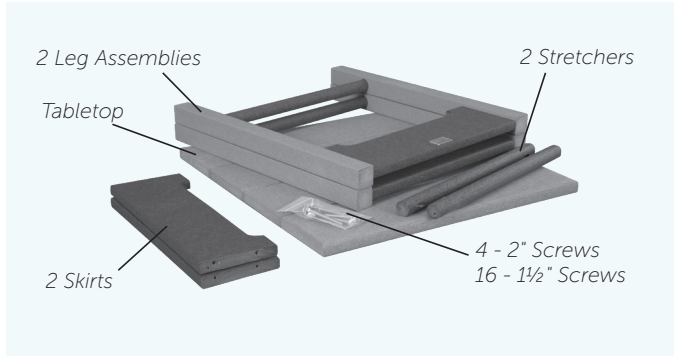
Assembly Instructions

Van Buren End Table — (VA-TaS)

Tools Needed: Hammer, 7/16" wrench, #2 square bit screw driver or power driver, punch.
No drilling is required. All the necessary holes are predrilled.

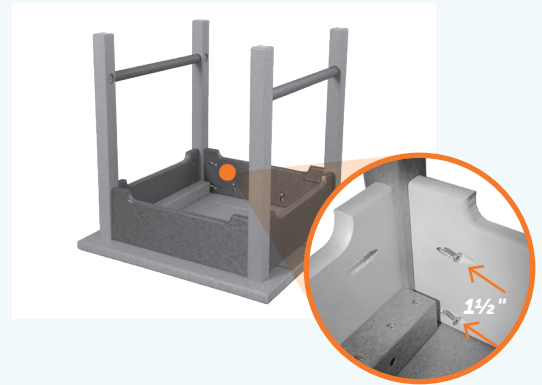


Parts



Step 2 — Install Skirts

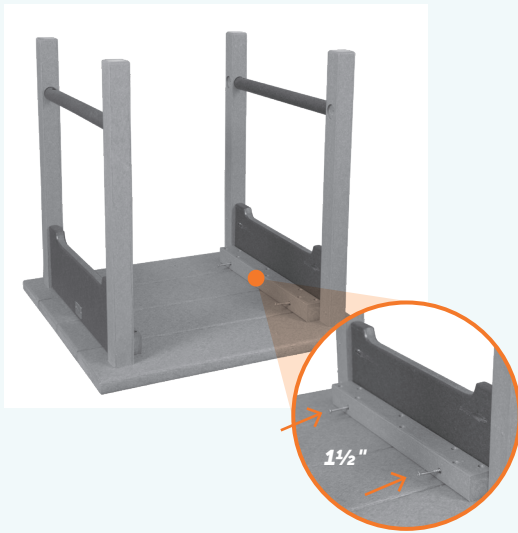
1 1/2" Screws, Skirts



Match the numbers on the legs to the numbers on the skirts. Secure each skirt to the legs and tabletop with 1 1/2" screws.

Step 1 — Install Legs

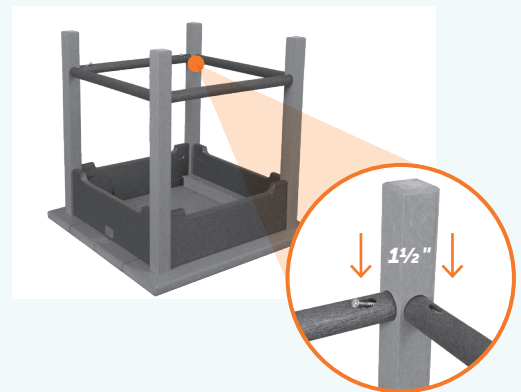
2" Screws, Tabletop, Leg Assemblies



Lay the table top upside down on a protected surface such as cardboard or blankets. Secure each leg assembly with two 2" screws each using the pilot holes in the tabletop crosspieces.

Step 3 — Install Stretchers

1 3/4" Screws, Dowel Stretchers



Place the dowel stretchers in between the legs and secure with a 1 1/2" screw in each end using the pilot hole.

Congratulations!
Your **Van Buren End Table**
is ready to enjoy!

