



Feel the Difference®

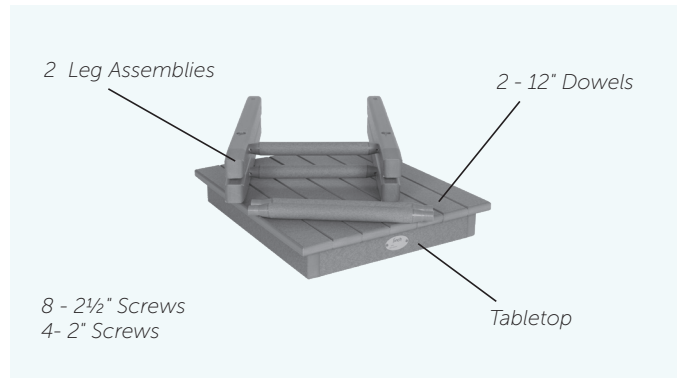
# Assembly Instructions

## Zinn's Mill Side Table



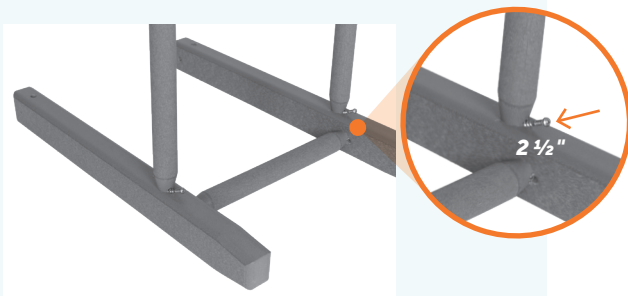
**Tools Needed:** #2 square bit screw driver or power driver, rubber mallet.

### Parts



### Step 1 — Assemble Legs

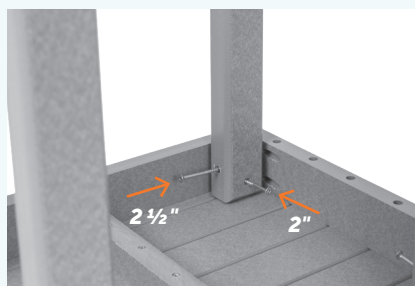
12" Dowels, 2 Leg Assemblies, 2½" Screws



Place the seat assembly on a clean flat, work surface, protected with cardboard or blankets. Use rubber mallet to tap dowels into leg assembly. Next, secure the leg assembly to the dowels with 2½" screws.

### Step 2 — Insert Tabletop

Tabletop, 2" Screws, 2½" Screws



Now, turn the tabletop face down on a blanket or a clean, soft surface. Finally, install each leg with two 2" screws at each corner on the smaller side and 2½" screws on the wider side.



Congratulations!  
Your Zinn's Mill **Side Table**  
is ready to enjoy!