



DOOR, DRAWER, & PANTRY INSTALL SPECIFICATIONS



Model # 538302BSC Shown



Model # 53930KSC Shown

GENERAL INFORMATION

INSTALLER: Leave these instructions with consumer.
CONSUMER: Retain for future reference.

WARNING

This unit is to be installed by a qualified, professional service technician.

Important: READ THESE INSTRUCTIONS CAREFULLY BEFORE STARTING INSTALLATION

- When installing this unit directly below another unit, only install with Fire Magic built-in products.
- For proper installation, be sure to use the correct cutout dimensions as specified for your specific model number.
- It is recommended that silicon caulking (not supplied) is applied around the back of the unit's trim before sliding the cabinet assembly into the opening.
- Some models may include an additional owner's manual.
- **When used for propane cylinder storage, a louvered door model is required.**

CAUTION: Make sure the enclosure is properly vented. See your grill owner's manual for venting requirements, or consult your local codes.

WHEN USING A PROPANE TANK CYLINDER:

- **Never locate a cylinder under or near a grill unless sufficient ventilation and shielding is provided to prevent any heating of the cylinder regulator and hose.** Refer to any additional instructions included with your door (and/or your grill owner's manual) for the required installation method of propane tank cylinders.
- **FOLLOW ALL THE SAFETY WARNING AND INFORMATION FOUND IN THESE INSTRUCTIONS, ON YOUR PROPANE CYLINDER, AND IN YOUR GRILL OWNER'S MANUAL ABOUT SAFE STORAGE AND USE OF PROPANE GAS.**

INSTALLATION GUIDELINES

For proper installation, be sure to use the correct cutout dimensions as specified for your model number. See Fig. 2-1. Locate your model on the following pages for dimensions, and reference the cut-out diagram of your unit for proper orientation.

BRACKET HARDWARE KIT

A door/drawer/pantry bracket hardware kit (BK-1) is for use with island enclosures with a wall thickness of (1 1/2" to 2 1/4") and all Fire Magic GFRC Island enclosures. The brackets are designed to secure the accessory firmly, preventing it from being pulled out of the cutout and eliminating movement.

This kit includes four brackets, four short screws and four long screws. See Fig. 2-2. Wider models may include two kits.

Important: When installing in a Fire Magic GFRC Island or IP50-D-48 EL500 Electric Grill Island Bundle, the supplied brackets must be used for installation.

Installation

Note: Certain accessories may require preparation before installation (for example, removing drawers before mounting). Refer to the DOOR, PANTRY, or DRAWER sections per your accessory. for specific requirements.

1. Insert your door/drawer/pantry completely into the opening. Ensure it is flush against the exterior wall.
2. Based on the mounting surface/substrate of your island enclosure and the accessibility of your accessory frame, this kit can be installed using two methods (see Fig. 2-3). Install this bracket hardware kit as appropriate.

Use the oblong cutouts or round holes located on the top, bottom, and/or sides of the door/drawer/pantry frame to install and align hardware as applicable.

Method A: Hook Brackets

- Hook bracket must be positioned **between the door/drawer/pantry frame and wall** of the cutout enclosure.
- Requires access to the interior of the grill island to install hook bracket correctly.
- If the interior cannot be reached through an enclosure cutout or with the removal of the countertop, an access door must be available to reach the interior of the island.
- It is recommended to use all brackets supplied in this kit.

Method B: Long Screws

- No interior access required.
- The hook bracket is not needed for this installation.
- It is recommended to use a #21 drill bit (0.159") for pilot holes.

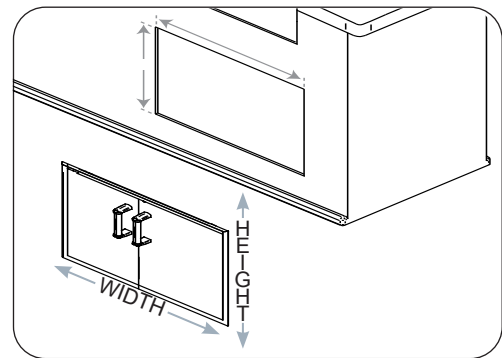


Fig. 2-1 Make correct cut-out

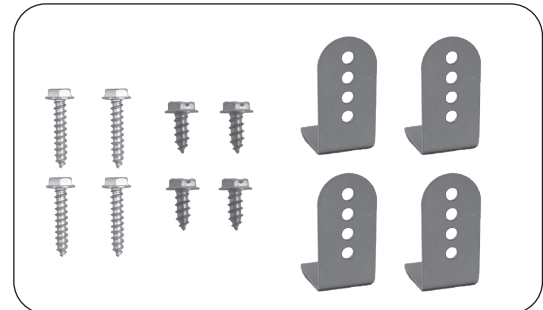


Fig. 2-2 Bk-1 kit

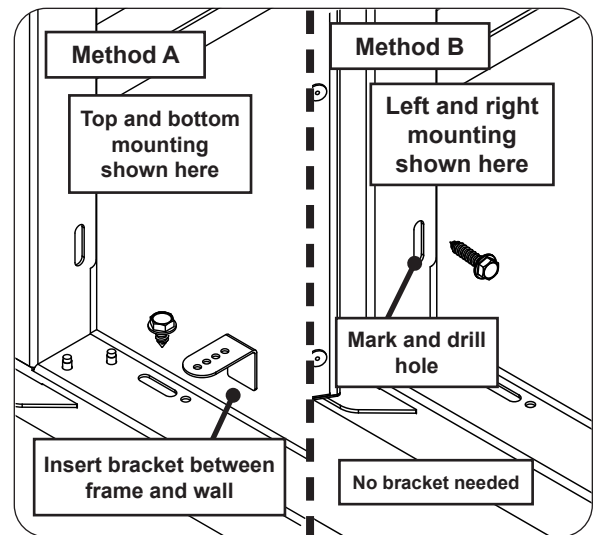


Fig. 2-3 Installation methods

Continue to the next page to install
using your selected method.

INSTALLATION GUIDELINES (cont.)

Method A: Hook Brackets

Note: This method requires access to the interior of the island. Installation steps may vary depending on the specific accessory.

1. Use the oblong cutouts (or round holes) on opposite sides of the frame (either top and bottom or left and right). Reach from within the island and insert a bracket where a cutout exists, **between the wall and frame**. See Fig. 3-2, step 1.

Note: **Ensure the bracket flange is positioned away from the frame and rests against the island wall.**

2. While holding the rear of the bracket and the front of the frame **firmly** against the concrete wall, align a bracket hole to the frame's oblong cutout and insert a supplied short hex screw. Tighten the hex screw with a power drill and $\frac{5}{16}$ " hex driver (see Fig. 3-2, step 2). **DO NOT OVERTIGHTEN.**

Note: Installation may require a second person to hold the bracket against the wall from within the island enclosure.

3. Repeat this process for the remaining brackets.

Note: Only the cutouts on either the top and bottom or left and right sides of the door/drawer/pantry frame require brackets.

Method B: Long screws

Note: **This method does not require the use of the hook brackets.**

1. Use the oblong cutouts (or round holes) on opposite sides of the frame (either top and bottom or left and right). Mark the holes as needed.
2. Drill pilot holes for each screw. See Fig. 3-3, step 1. It is recommended to use a #21 drill bit (0.159") to drill pilot holes.

Note: The pilot hole depth must accommodate the length of the long screws.

3. Insert your door/drawer frame into the cutout and position to the pilot holes.
4. Insert a long hex screw and tighten with the power drill and $\frac{5}{16}$ " hex driver (see Fig. 3-3, step 2). **DO NOT OVERTIGHTEN.**
5. Repeat this process for the remaining screws.

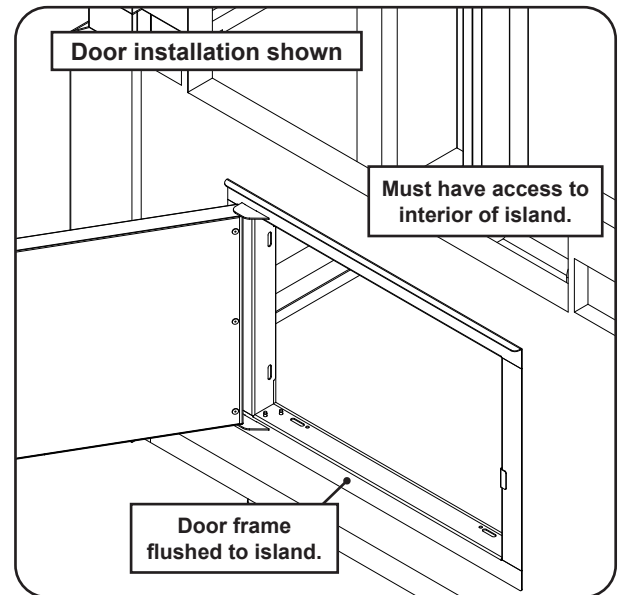


Fig. 3-1 Insert door/drawer/pantry

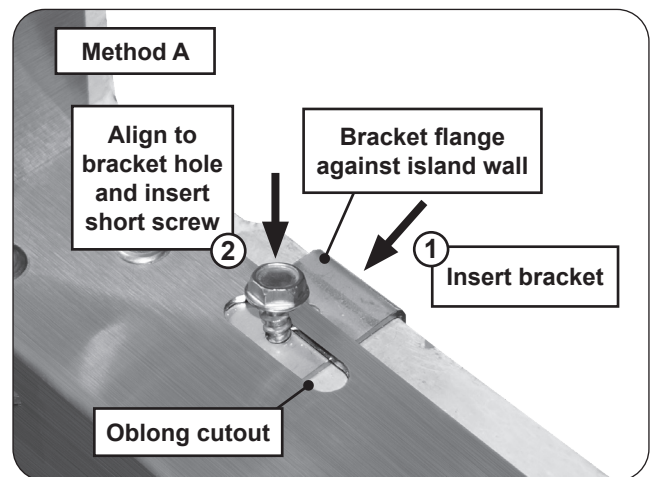


Fig. 3-2 Method A install detail

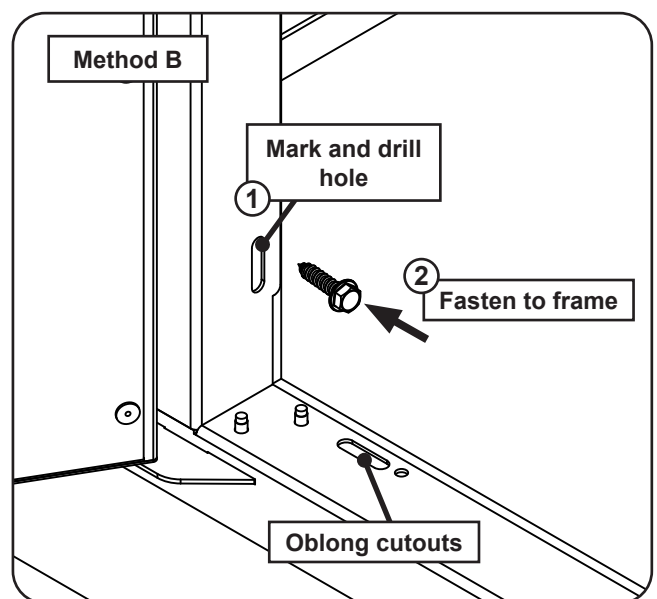


Fig. 3-3 Method B install detail

INSTALLATION GUIDELINES (cont.)

DOOR

Slide in and fasten the unit securely into the island enclosure using the supplied hardware through the installation screw slots or holes in the top and bottom of the unit. Refer to the BRACKET HARDWARE KIT section as needed.

For doors with soft-close hinge:

Both soft-close hinges have three door adjustment capabilities. See below and reference Fig. 4-2 and Fig. 4-3.

Screw marked "A" adjusts the door left or right. Turn clockwise to move right and counter-clockwise to move left, on both hinges.

Screw marked "B" adjusts the door inward or outward. First loosen screw "B", adjust door as needed, then re-secure.

Screws marked "C" adjusts the door up or down. First loosen both "C" screws, adjust door as needed, then re-secure.

For doors with lock and keys:

To use, insert the provided key into the key hole. Turn the key counterclockwise to lock, and clockwise to unlock.

To replace the lock mechanism (part # LKSC-1): locate the back of the lock, then loosen the screw with a Phillips Screwdriver (See Fig. 4-5, A). Then pull out the locking tab along with the screw and washers (See Fig. 4-5, B). Remove the nut, then the locking mechanism (See Fig. 4-5, C and D).

To install, reverse this procedure.

For doors with propane tank trays:

To use, simply open the door, pull out the sliding cylinder tray, place your cylinder in the tank holder tray. Hook the round end of the pull-latch-screw over the bracket (found on collar of tray). Then snap the pull-latch-handle closed. Ensure the collar is securely holding the cylinder in place. (If needed the pull-latch-screw can be adjusted to tighten or loosen the collar.) Push the tray back in. The cylinder is now ready for connection to your grill.

Important: Refer to the instructions included with your door for propane tank installation.

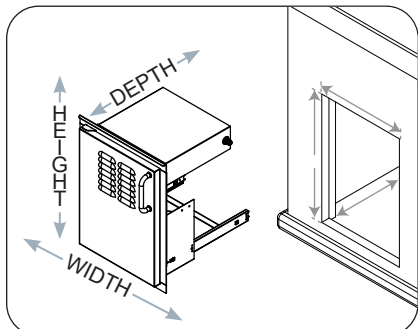


Fig. 4-6 Cut-out diagram

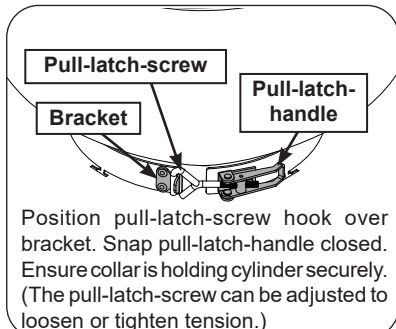


Fig. 4-7 Secure L.P. cylinder

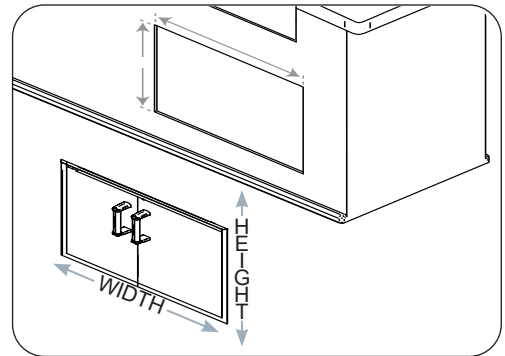


Fig. 4-1 Door cut-out diagram

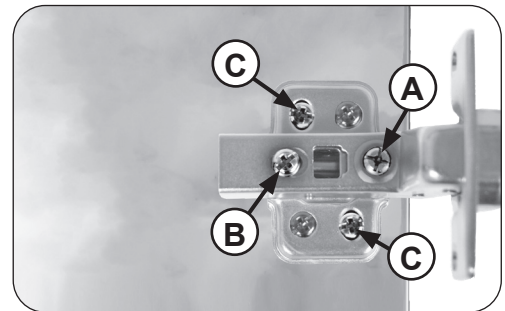


Fig. 4-2 Adjust door

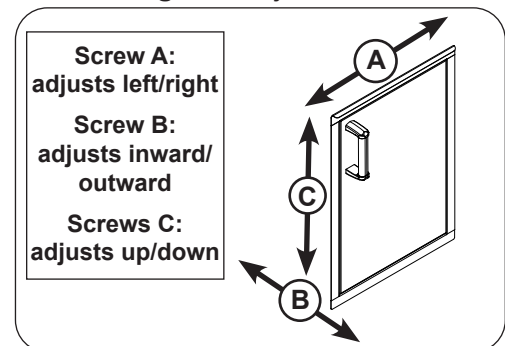


Fig. 4-3 Adjust door

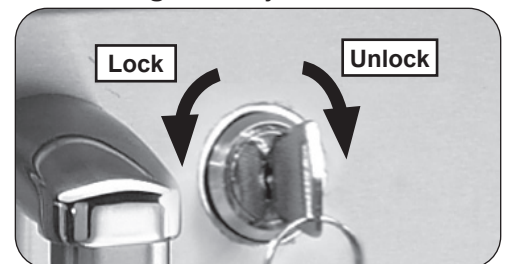


Fig. 4-4 Locking / unlocking

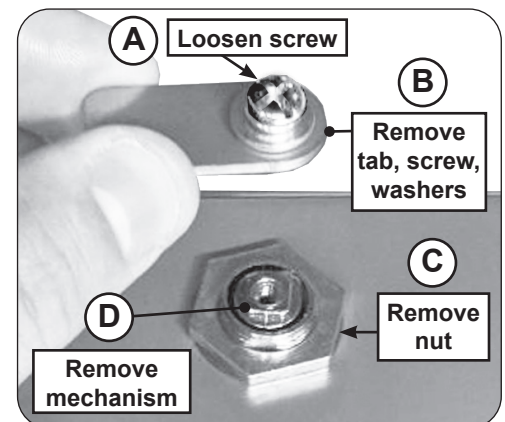


Fig. 4-5 Locking / unlocking

INSTALLATION GUIDELINES (cont.)

PANTRY

Installation Guidelines

Before installing your pantry, remove the drawer from its base by completely pulling it out. Release the drawer from the drawer slides by pressing the black lever down on the right side, and up on the left side (Fig 5-2). Then pull outward on the drawer until it comes free of the runners.

1. Slide in and fasten the unit securely into the island enclosure using the appropriate hardware for your construction (not supplied) through the installation holes in the top, sides, and bottom of the unit. Refer to the BRACKET HARDWARE KIT section as needed.

Important: Install using $\frac{3}{16}$ " countersink screws, ensure the screws are flush.

2. To re-attach the drawer; extend the drawer slides completely and align the drawer into the slides, pushing the drawer closed. Open the drawer to verify that it has locked in place.

Note: DO NOT damage gasket while installing the screws.

Inner Drawer Height Adjustment

The top inner-drawer height can be adjusted (lowered) by raising the drawer runners.

1. Pull out the drawer completely (see above section).
2. From the interior of the drawer, use a flat head screwdriver and a hammer to tap the runners free (through the notches). See Fig. 5-3.
3. Align each runner over the alternate notches and use the hammer to gently tap into place (see Fig. 5-4).
4. Reinstall the drawer.

DRAWER

Before installing your drawer, remove the drawer from its base by completely pulling it out. Release the drawer from the drawer slides by pressing the black lever down on the right side, and up on the left side (Fig 5-2). Then pull outward on the drawer until it comes free of the runners.

1. In order to properly support the weight of your drawer, it is necessary to provide a secure, level surface in the rear of the unit (see Fig 5-6). This may be accomplished by using bricks, 2 X 4's, etc. Be sure that the height of this rear support is $\frac{1}{8}$ " higher than that of the front opening support, so that your drawer sits level.

Note: For utility drawers, rear support brackets are included to provide support. See the separate instruction included with the utility drawer for installation.

2. Slide in and fasten the unit securely into the island enclosure using the supplied hardware through the installation screw slots in the top and bottom of the unit. Refer to the BRACKET HARDWARE KIT section as needed.
3. To re-attach the drawer, extend the drawer slides completely and align the drawer into the slides, pushing the drawer closed. Open the drawer to verify that it has locked in place.

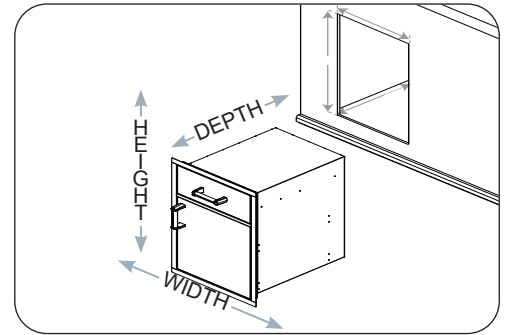


Fig. 5-1 Pantry cut-out diagram

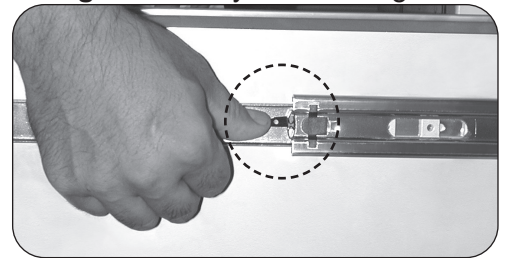


Fig. 5-2 Releasing drawer from slides

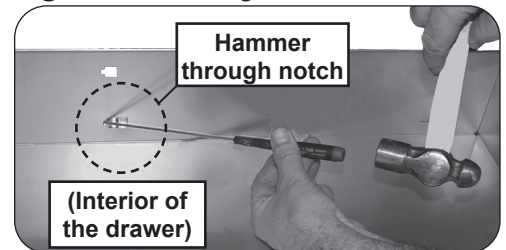


Fig. 5-3 Release tracking from drawer

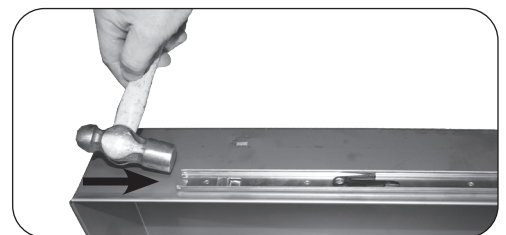


Fig. 5-4 Reinstall runners

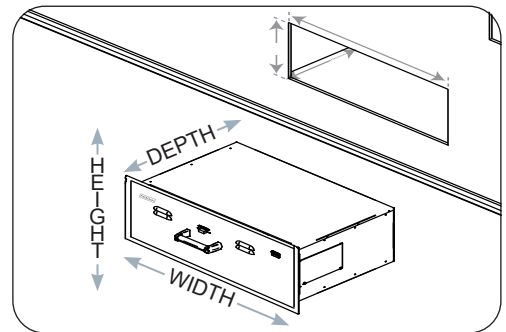


Fig. 5-5 Drawer cut-out diagram

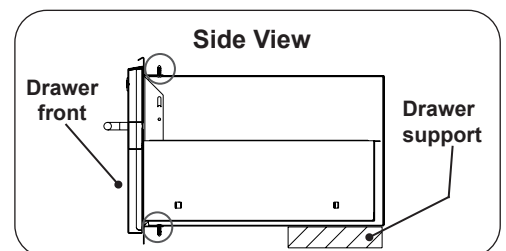


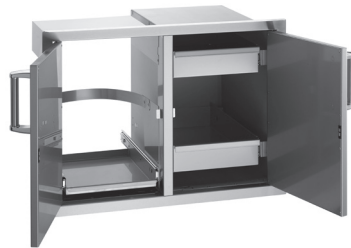
Fig. 5-6 Drawer Installation (Side View)

PREMIUM FLUSH DOORS, DRAWERS, & PANTRY

Cut-out is height x width x depth



DOUBLE DOORS WITH DUAL DRAWERS
MODEL: 53930SC-22
CUT-OUT: 21" x 30 1/2" x 20 1/2"



DOUBLE DOORS WITH TRASH TRAY & DUAL DRAWERS
MODEL: 53930SC-12
CUT-OUT: 21" x 30 1/2" x 20 1/2"



MASONRY DRAWER
MODEL: 53830SC
CUT-OUT: 14 1/2" x 32 1/4" x 22"



ELECTRIC WARMING DRAWER
MODEL: 53830-SW
CUT-OUT: 14 1/2" x 32 1/4" x 22"



TRIPLE ENCLOSED DRAWERS
MODEL: 53803SC
CUT-OUT: 26 1/4" x 14 1/2" x 20 1/2"



DOUBLE ENCLOSED DRAWERS
MODEL: 53802SC
CUT-OUT: 16" x 14 1/2" x 20 1/2"



SINGLE ACCESS DOOR*
MODEL: 53924SC-L
CUT-OUT: 25" x 17 1/2"



DOUBLE ACCESS DOORS
MODEL: 53934SC
CUT-OUT: 15" x 30"



ACCESS DOOR W/ DOUBLE DRAWERS
MODEL: 53810SC
CUT-OUT: 18 1/2" x 30" x 26"



DOUBLE ACCESS DOORS
MODEL: 53938SC
CUT-OUT: 16" x 39"



SINGLE DOOR WITH DUAL DRAWERS*
MODEL: 53820SC-R
CUT-OUT: 21" x 14 1/2" x 20 1/2"



SINGLE ENCLOSED DRAWER
MODEL: 53801SC
CUT-OUT: 5 1/4" x 14 1/2" x 20 1/2"

* Available in left or right hinge

PREMIUM FLUSH DOORS, DRAWERS, & PANTRY (cont.)

Cut-out is height x width x depth



DOUBLE ACCESS DOORS
MODEL: 53930SC
CUT-OUT: 21" x 30"



SINGLE ACCESS DOOR*
MODEL: 53920SC-L
CUT-OUT: 21" x 14 1/2"



SINGLE ACCESS DOOR*
MODEL: 53917SC-R
CUT-OUT: 18" x 24 1/2"



SINGLE ACCESS DOOR*
MODEL: 53914SC-R
CUT-OUT: 15" x 20 1/2"



DOUBLE ACCESS DOORS WITH LOUVERS
MODEL: 53930SC-1
CUT-OUT: 21" x 30"



ACCESS DOORS W/ PLATTER STORAGE AND DOUBLE DRAWERS
MODEL: 53816SC
CUT-OUT: 18 1/2" x 36 1/2" x 26"



UTILITY DRAWER
MODEL: 53811SC
CUT-OUT: 5 1/4" x 24 1/2" x 26"



PANTRY W/ TOP DRAWER AND SINGLE DOOR W/ DUAL DRAWERS (INSULATED)
MODEL: 54020S
CUT-OUT: 33 1/2" x 20" x 26"



TRASH CABINET
MODEL: 53820DSC
CUT-OUT: 25" x 17 1/2" x 25"

Also available (not shown):

MODEL: 54018S	CUT-OUT: 25" x 17 1/2" x 26"	MODEL: 53924KSC-R	CUT-OUT: 25" x 17 1/2"
MODEL: 53820SC-L	CUT-OUT: 21" x 14 1/2" x 20 1/2"	MODEL: 53924KSC-L	CUT-OUT: 25" x 17 1/2"
MODEL: 53820SC-TL or TR	CUT-OUT: 21" x 14 1/2" x 20 1/2"	MODEL: 53914KSC-R	CUT-OUT: 15" x 20 1/2"
MODEL: 53914SC-L	CUT-OUT: 15" x 20 1/2"	MODEL: 53914KSC-L	CUT-OUT: 15" x 20 1/2"
MODEL: 53917SC-L	CUT-OUT: 18 1/2" x 24 1/2"	MODEL: 53917KSC-R	CUT-OUT: 18" x 24 1/2"
MODEL: 53920SC-R	CUT-OUT: 21" x 14 1/2"	MODEL: 53917KSC-L	CUT-OUT: 18" x 24 1/2"
MODEL: 53924SC-R	CUT-OUT: 25" x 17 1/2"	MODEL: 53934KSC	CUT-OUT: 15" x 30"
MODEL: 53930SC-12T	CUT-OUT: 21" x 30 1/2" x 20 1/2"	MODEL: 53930KSC	CUT-OUT: 21" x 30"
MODEL: 53920KSC-R	CUT-OUT: 21" x 14 1/2"	MODEL: 53936KSC	CUT-OUT: 21" x 36 1/2"
MODEL: 53920KSC-L	CUT-OUT: 21" x 14 1/2"	MODEL: 53938KSC	CUT-OUT: 16" x 39"
MODEL: 53936SC	CUT-OUT: 21" x 36 1/2"	MODEL: 53820TSC	CUT-OUT: 21" x 14 1/2" x 19 1/4"

* Available in left or right hinge

ECHELON BLACK DOORS & DRAWERS

Cut-out is height x width x depth



DOUBLE ENCLOSED DRAWERS
MODEL: 53802BSC
CUT-OUT: 16" x 14 1/2" x 20 1/2"



TRIPLE ENCLOSED DRAWERS
MODEL: 53803BSC
CUT-OUT: 26 1/4" x 14 1/2" x 20 1/2"



ACCESS DOOR W/ DOUBLE DRAWERS
MODEL: 53810BSC
CUT-OUT: 18 1/2" x 30" x 26"



ACCESS DOORS W/ PLATTER STORAGE AND DOUBLE DRAWERS
MODEL: 53816BSC
CUT-OUT: 18 1/2" x 36 1/2" x 26"



SINGLE ACCESS DOOR*
MODEL: 53920BSC-(L, R)
CUT-OUT: 21" x 14 1/2"



DOUBLE ACCESS DOORS
MODEL: 53930BSC
CUT-OUT: 21" x 30"



UTILITY DRAWER
MODEL: 53811BSC
CUT-OUT: 5 1/4" x 24 1/2" x 26"



DOUBLE ACCESS DOORS
MODEL: 53934BSC
CUT-OUT: 15" x 30"



DOUBLE ACCESS DOORS
MODEL: 53938BSC
CUT-OUT: 16" x 39"

* Available in left or right hinge

SELECT DOORS & DRAWERS

Cut-out is height x width x depth



ELECTRIC WARMING DRAWER
MODEL: 33830-SW
CUT-OUT: 13" x 31" x 20 1/2"



MASONRY DRAWER
MODEL: 33830-S
CUT-OUT: 13" x 31" x 20 1/2"



DOUBLE ACCESS DOORS
MODEL: 33930S
CUT-OUT: 21" x 30"



TRIPLE DRAWERS
MODEL: 33803
CUT-OUT: 26 1/4" x 14 1/2" x 20 1/2"



DOUBLE DRAWERS
MODEL: 33802
CUT-OUT: 16" x 14 1/2" x 20 1/2"



DOUBLE DOORS WITH TANK TRAY AND LOUVERS
MODEL: 33930S-12T
CUT-OUT: 21" x 30 1/2" x 20 1/2"



SINGLE DOOR WITH DUAL DRAWERS*
MODEL: 33820-SR
CUT-OUT: 21" x 14 1/2" x 20 1/2"



ACCESS DOORS W/ PLATTER STORAGE AND DOUBLE DRAWERS
MODEL: 33816S
CUT-OUT: 18 1/2" x 36 1/2" x 26"

* Available in left or right hinge

SELECT DOORS & DRAWERS (cont.)

Cut-out is height x width x depth



SINGLE ACCESS DOOR*
MODEL: 33914-SR
CUT-OUT: 15" x 20 ½"



DOUBLE DOORS WITH 2 DRAWERS
MODEL: 33930S-22
CUT-OUT: 21" x 30 ½" x 20 ½"



SINGLE ACCESS DOOR*
MODEL: 33920-SR
CUT-OUT: 21" x 14 ½"



SINGLE ACCESS DOOR WITH TANK TRAY AND LOUVERS*
MODEL: 33820-TSL
CUT-OUT: 21" x 14 ½" x 20 ½"



SINGLE ACCESS DOOR*
MODEL: 33917-SR
CUT-OUT: 18" x 24 ½"



SINGLE DRAWER
MODEL: 33801
CUT-OUT: 5 ¼" x 14 ½" x 20 ½"



ACCESS DOOR W/ DOUBLE DRAWERS
MODEL: 33810S
CUT-OUT: 18 ½" x 30" x 26"

Also available (not shown):

MODEL: 33914-SL	CUT-OUT: 15" x 20 ½"
MODEL: 33917-SL	CUT-OUT: 18" x 24 ½"
MODEL: 33920-SL	CUT-OUT: 21" x 14 ½"
MODEL: 33924-SR or SL	CUT-OUT: 25" x 17 ½"
MODEL: 33920-1-SR or SL	CUT-OUT: 21" x 14 ½"
MODEL: 33938S	CUT-OUT: 16" x 39"
MODEL: 33820-SL	CUT-OUT: 21" x 14 ½" x 20 ½"
MODEL: 33820-TSR	CUT-OUT: 21" x 14 ½" x 20 ½"
MODEL: 33930S-12	CUT-OUT: 21" x 30 ½" x 20 ½"

* Available in left or right hinge

LEGACY DOORS & DRAWERS

Cut-out is height x width x depth



DOUBLE ACCESS DOORS
MODEL: 23930S
CUT-OUT: 20 ½" x 30"



SINGLE ACCESS DOOR
MODEL: 23917-S
CUT-OUT: 17 ½" x 24 ½"



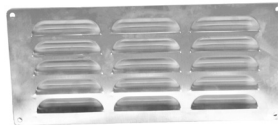
SINGLE ACCESS DOOR
MODEL: 23920-S
CUT-OUT: 20 ½" x 14 ½"



**SINGLE ACCESS DOOR (RIGHT OR LEFT)
WITH TANK TRAY AND LOUVERS**
MODEL: 23920-1T-S
CUT-OUT: 20 ½" x 14 ½" x 20 ½"



SINGLE ACCESS DOOR WITH LOUVERS
MODEL: 23920-1-S
CUT-OUT: 20 ½" x 14 ½"



**VENTING PANEL, LOUVERED
STAINLESS STEEL**
MODEL: 5510-01
CUT-OUT: 5" x 12 ¾"
OUTER DIMENSIONS: 6" x 14"

Also available (not shown):

MODEL: 23912-S **CUT-OUT:** 12 ½" x 18 ½"
MODEL: 23918-S **CUT-OUT:** 18 ½" x 12 ½"
MODEL: 23924-S **CUT-OUT:** 24 ½" x 17 ½"
MODEL: 23914-S **CUT-OUT:** 14 ½" x 20 ½"

* Available in left or right hinge

CARE & CLEANING

By following these recommendations, you will enjoy the beauty and convenience of your unit for many years to come.

The trash should be emptied regularly.

STAINLESS STEEL

As needed, use a grill cleaner (or a soapy water solution) and a clean cloth to remove grease and dirt from the outside of the unit. For tough deposits, a copper pad can be used. Always wipe with the grain. Rinse and dry completely. Then follow up with a stainless steel cleaner and a clean cloth.

If this routine cleaning is not performed, the stainless steel may become dull and develop surface rust (due to use and atmospheric conditions). If left uncleaned, significant damage and pitting may occur.

Important: DO NOT use steel wool, any other metal tools, or any other cleaners/chemicals to clean the exterior other than recommended above. Such items promote rust.

When this unit is installed in a corrosive environment such as near the ocean (salt air), poolside (chlorine and/or pool chemicals) or any other location with exposure to high salt/chloride content or corrosive chemicals/solutions, it will be more susceptible to corrosion and MUST be maintained/cleaned more frequently.

- DO NOT store any corrosive chemicals (chlorine, hydrochloric acid, fertilizer, etc.) near your stainless steel unit.
- DO NOT allow any corrosive materials (masonry dust, debris, etc.) to settle on your stainless steel unit.
- These environments, chemicals, and materials may cause the 304 stainless steel to develop surface rust and consequently pitting. Under these conditions the unit MUST be cleaned at least monthly. Inspect your unit often and clean accordingly.

PORCELAIN

As needed, use a non-corrosive oven/grill cleaner (or a soapy water solution) and a clean cloth to remove grease and dirt. Rinse and dry completely.



Fig. 12-1

SAFE USE & MAINTENANCE OF PROPANE GAS CYLINDERS

IMPORTANT FOR YOUR SAFETY

READ AND FOLLOW ALL WARNINGS PROVIDED WITH THE PROPANE-GAS CYLINDER.

When operating this appliance with a propane-gas cylinder, these instructions and warnings **MUST** be observed.
FAILURE TO DO SO MAY RESULT IN A SERIOUS FIRE OR EXPLOSION.

For requirements related to ventilation, L.P. Cylinders, and the enclosure, see owner's manual provided with your grill.

CYLINDER/CONNECTOR REQUIREMENTS

- Propane-gas cylinders, valves, and hoses must be maintained in good condition and inspected before each use of appliance. They must be replaced if there is any visible damage. If hose is cut or shows excessive abrasion or wear, it must be replaced before using appliance (see e.).
- This unit, when used with a cylinder, should be connected to a standard 5-gallon (20 lb.) propane-gas cylinder equipped with a listed overfilling prevention device. The device has been required on all cylinders sold since October 1, 1998, to prevent overfilling.
- Cylinder dimensions should be approximately 12" (30.5 cm) in diameter and 18" (45.7 cm) high. Cylinders must be constructed and marked in accordance with the U.S. Department of Transportation (D.O.T.) *Specifications for LP-Gas Cylinders*, or the *Standard for Cylinders, Spheres, and Tubes for Transportation of Dangerous Goods and Commission*, CAN/CSA-B339, as applicable.
- The cylinder used must include a collar to protect the cylinder valve. The cylinder supply system must be arranged for vapour withdrawal. See Fig. 13-1.
- When used with a cylinder, the gas supply system must be used with a pressure regulator. The pressure regulator and hose assembly (**not supplied**) used must match the specification for Type I by ANSI Z 21.58/CGA 1.6 and must comply with UL 144 as a part of the self-contained LP gas supply system (see Fig. 13-1).
- The propane-gas cylinder valve must be equipped with a cylinder connection device, described as Type I in the standard defined in paragraph e. above. This device is commonly described as an Acme thread coupler.
- If the cylinder comes with a dust plug, place it on the cylinder valve outlet whenever the cylinder is not in use. Only install the type of dust cap on the cylinder valve outlet that is provided with the cylinder valve. Other types of caps or plugs may result in leakage of propane.

COUPLER OPERATION

To connect the regulator/hose assembly to the propane-gas cylinder valve fitting: Press the hand nut on the regulator over the Acme thread fitting on the cylinder valve. Turn the hand nut clockwise to engage the threads and tighten until snug. The use of pliers or a wrench should not be necessary. Only cylinders marked "propane" may be used.

To disconnect: Turn the hand nut counterclockwise until detached (Fig. 13-1).

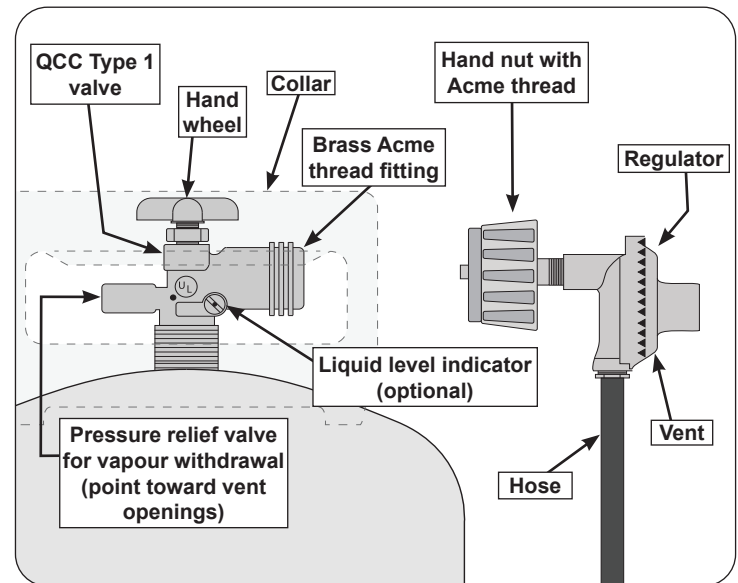


Fig. 13-1 Type I Acme thread coupler

SAFE USE & MAINTENANCE OF PROPANE GAS CYLINDERS (cont.)

Important: Before using the unit, and after each time the cylinder is removed and reattached, check the hose for wear (see a.) and check all connections for leaks. Turn off the unit valves and open the main cylinder valve, then check connections with soapy water. **NEVER USE A FLAME TO CHECK FOR LEAKS.** Repair any leaks before lighting the unit.

CAUTION: Always turn the propane cylinder main valve off after each use, and before moving the unit and cylinder or disconnecting the coupling. This valve must remain closed and the cylinder disconnected while the appliance is not in use, even though the gas flow is stopped by a safety feature when the coupler is disconnected.

Carefully inspect the hose assembly each time before the gas is turned on. A cracked or frayed hose must be replaced immediately.

If the appliance is stored indoors, the cylinder must be disconnected and removed. Disconnected cylinders must be stored outdoors, out of the reach of children, with threaded valve plugs tightly installed, and must not be stored in a building, garage, or any other enclosed area.

FOR YOUR SAFETY

- A. DO NOT store a spare propane-gas cylinder under or near this appliance.
- B. NEVER fill the cylinder beyond 80-percent full.
- C. IF THE INFORMATION IN a. AND b. IS NOT FOLLOWED EXACTLY, A FIRE CAUSING DEATH OR SERIOUS INJURY MAY OCCUR.
- D. **CGA 791 connections on LP gas cylinders:** The cylinder face elastomeric face seal element (rubber seal) on these devices could, over time, show marked and visible damage or deterioration that might cause a leak even with the connection tightened. A visual inspection for the seal must be carried out every time a LP gas cylinder is replaced or refilled. Any LP gas cylinder showing signs of damage or deterioration as illustrated in Fig. 14-1, including visible cracks and pitting, must be replaced.

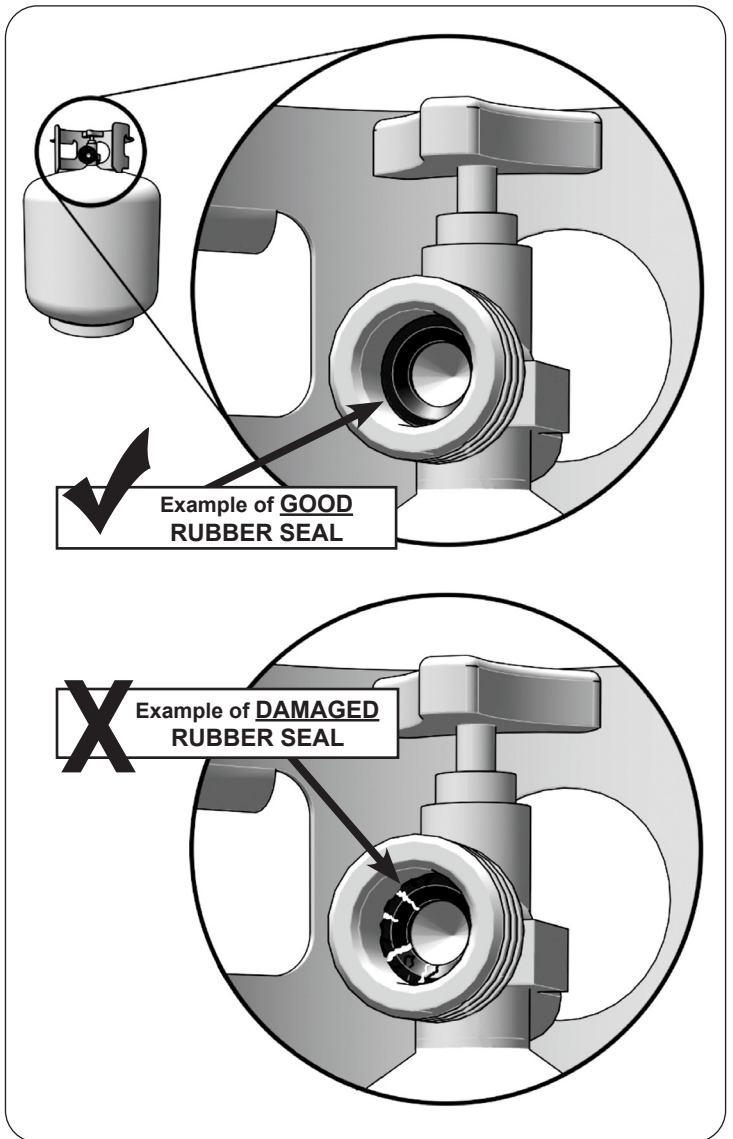


Fig. 14-1 Inspect rubber seal

Please use this page to record any information that you may want to have at hand.

WARRANTY

PETERSON FIRE MAGIC DOOR, DRAWER, & PANTRY LIMITED WARRANTY

THREE-YEAR WARRANTY - Fire Magic® Premium Flush and Echelon Black (5 Series) doors, drawers, and pantries are warranted for **THREE (3) YEARS** from the date of purchase.

TWO-YEAR WARRANTY - Fire Magic® Select (3 Series) doors and drawers are warranted for **TWO (2) YEARS** from the date of purchase.

ONE-YEAR WARRANTY - Fire Magic® Legacy (2 Series) doors and drawers are warranted for **ONE (1) YEAR** from the date of purchase.

A COPY OF YOUR SALES SLIP FOR PROOF OF PURCHASE IS REQUIRED

This warranty applies to the original purchaser for products which are installed in the United States or Canada and which are operated and maintained as intended for single family residential usage (if the unit is installed in a commercial / multi-user setting, a separate Commercial / Multi-User Limited Warranty applies and is available from RHP). This warranty is valid only with proof of purchase, commences on the date of purchase, and terminates (both as to original and any replacement products) on the anniversary date of the original purchase of the product per the above schedules.

This warranty **does not** cover parts which become defective as a result of negligence, misuse, or use not in compliance with the Installation and Owner's Manual, accidental damage, improper handling, improper storage, improper installation, **lack of required routine maintenance** (as specified in the Installation and Owner's Manual), or electrical damage. Product must be installed as specified in the Installation and Owner's Manual by a **qualified professional installer**. This warranty **does not** apply to normal occurrences that may be expected with any outdoor product such as rust, corrosion, oxidation, or discoloration unless the affected part becomes inoperable. RHP products including valves, pilots and controls are designed and certified to be used as a system. Modifications to products which are not specifically authorized will void this warranty and could render the product to be unsafe. Burners, valves, parts, remotes, accessories, etc. used with this product must be RHP products or this warranty is void.

Warranted items will be repaired or replaced at RHP's sole discretion. This warranty **does not** cover labor or labor related charges, except as provided by separate specific written programs from RHP. All repair work must be performed by a qualified professional service person and requires prior approval of RHP.

RHP may require the defective product or part to be returned to the factory to determine the cause of failure. RHP will pay freight charges if the product or part is determined to be defective. This warranty does not cover breakage in shipment from our independent distributor to its customer if the damage is determined to have occurred during that shipment.

This warranty specifically excludes liability for **indirect, incidental**, or consequential damages. Some states and provinces do not allow the exclusion or limitation of incidental or consequential damages, so the above exclusion may not apply to you. This warranty gives you specified legal rights, and you may have other rights that vary from state to state or province.

For additional information regarding this warranty, or to place a warranty claim, contact the RHP dealer where the product was purchased.

When contacting your RHP dealer or the R.H. Peterson Co., please provide the following information:

- Your name, address, telephone number, e-mail
- Sales receipt showing where purchased and date purchased
- Model number, serial number of product, date code
- Relevant information: installer, additions, repairs, when defect was first noted

**TO REGISTER YOUR PRODUCT ONLINE GO TO: WWW.RHPETERSON.COM,
AND CLICK ON PRODUCT REGISTRATION. THANK YOU FOR YOUR PURCHASE.**