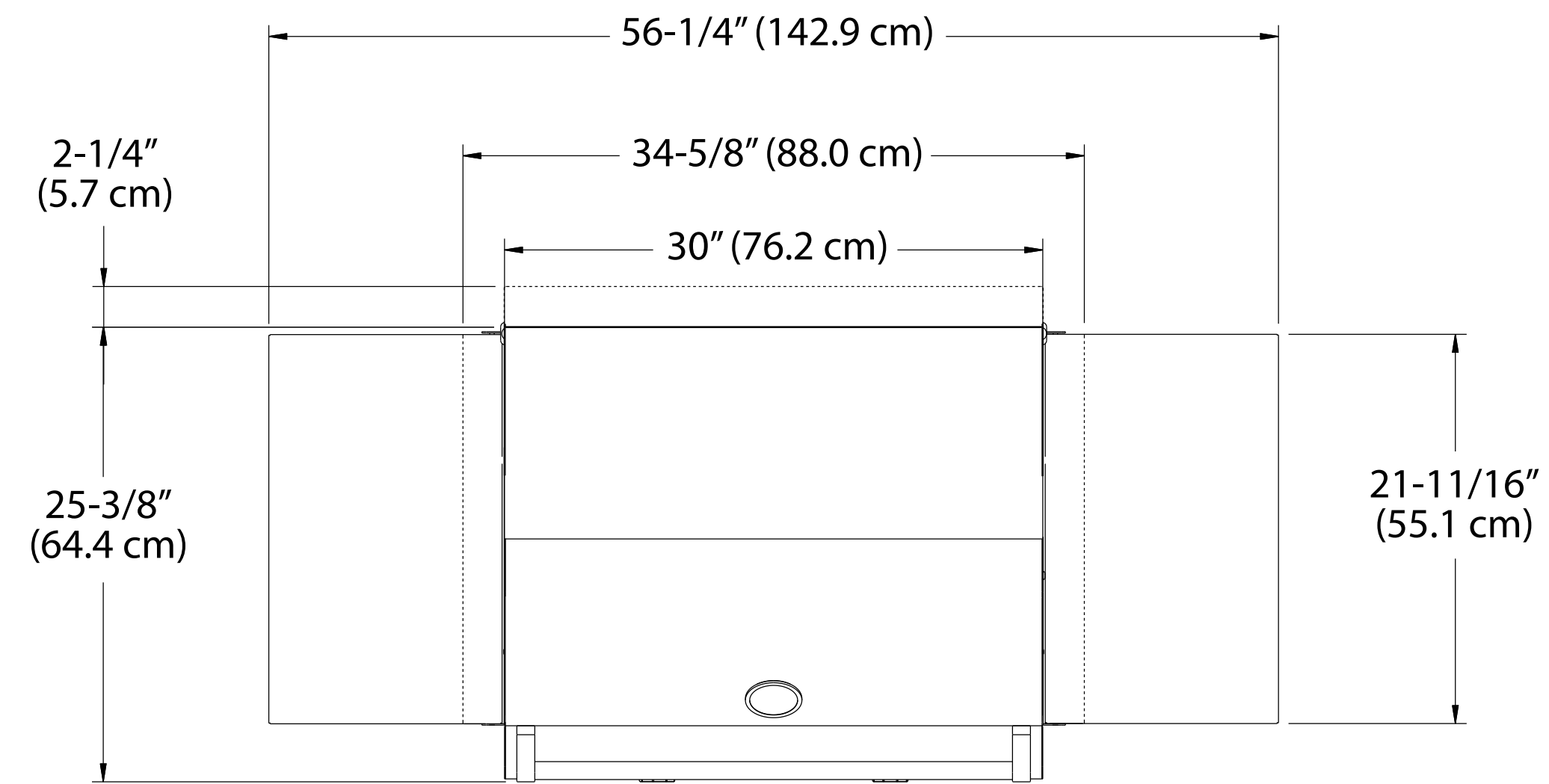
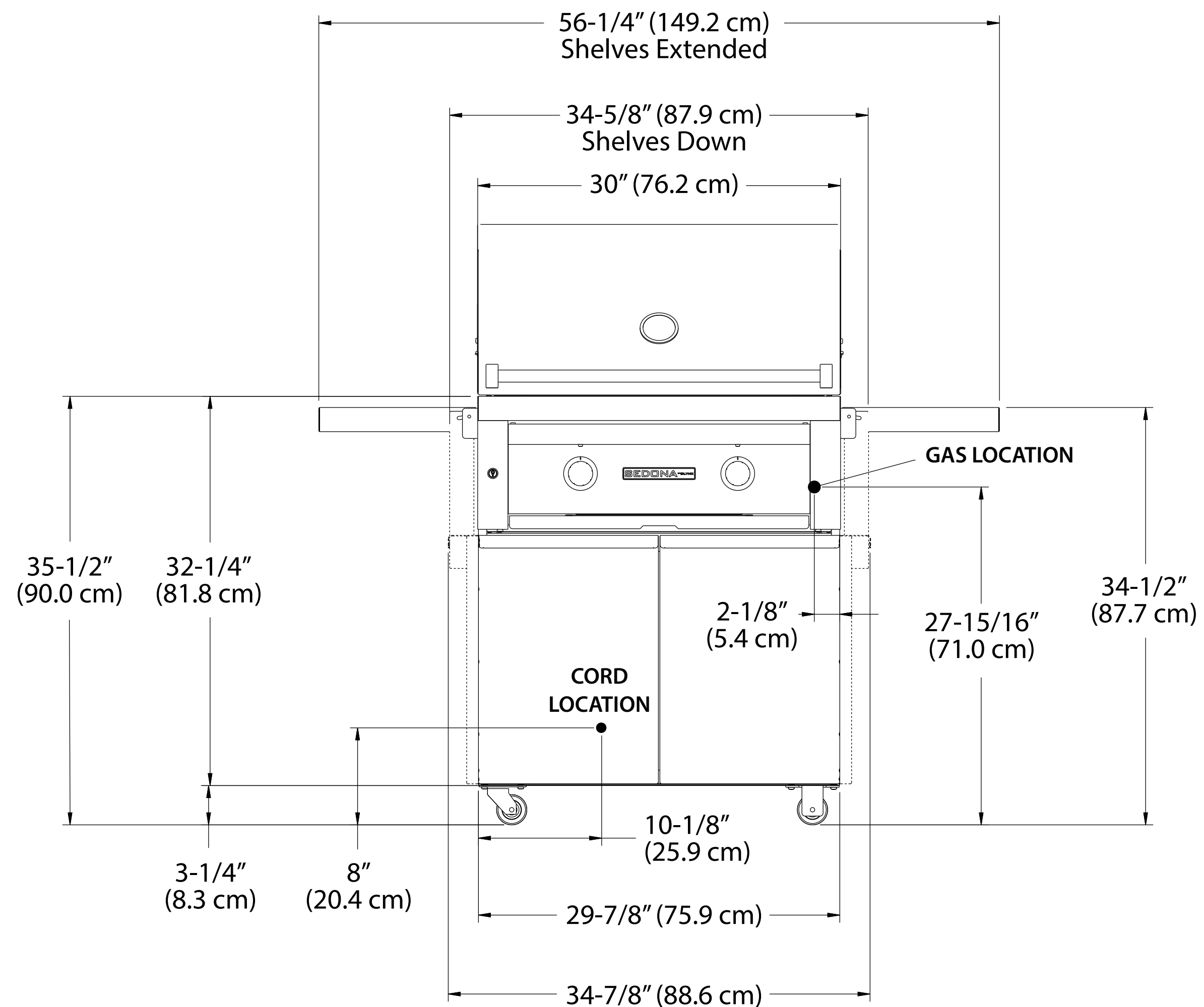


## TOP



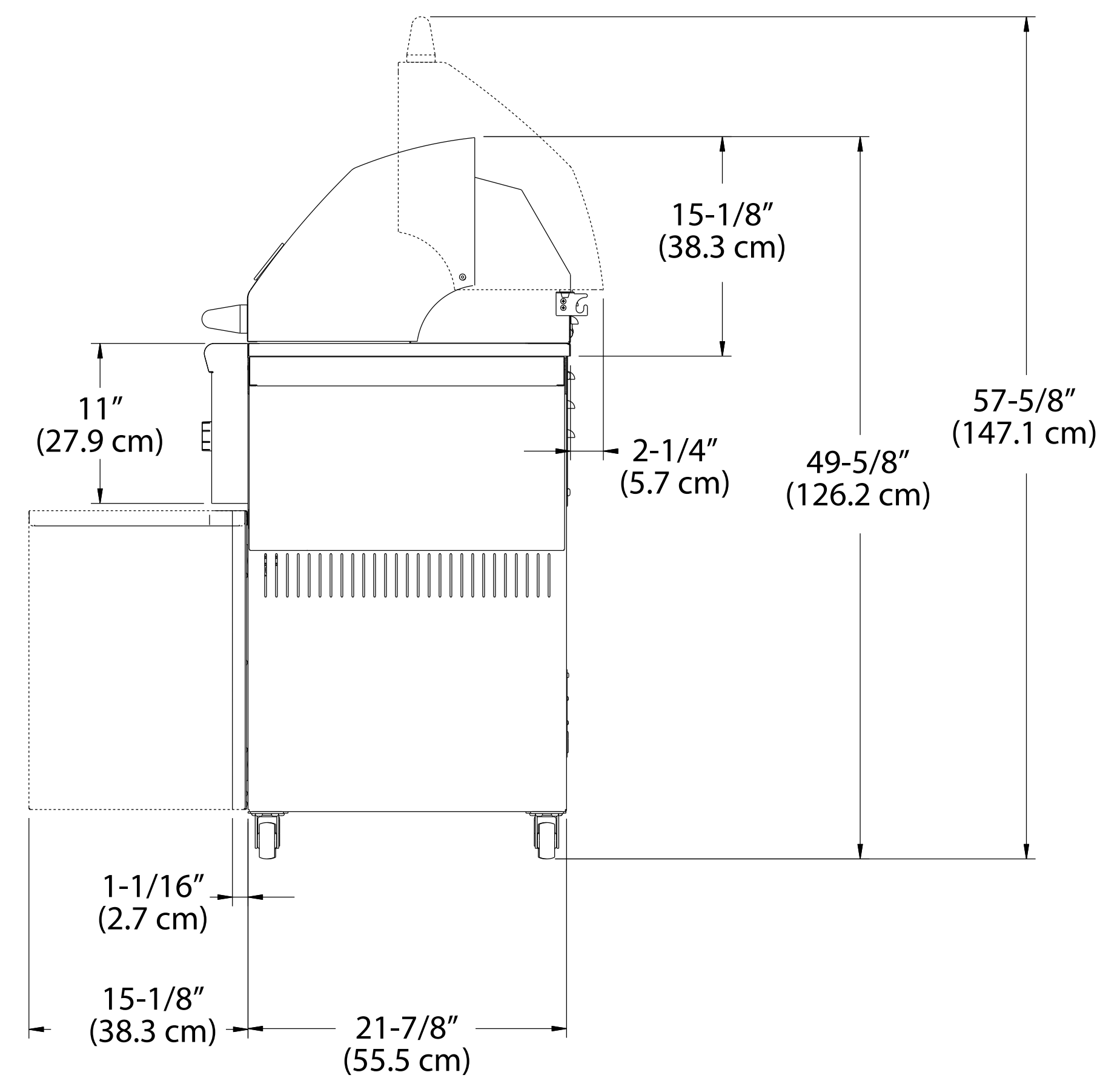
**L501**  
30" GRILL

## FRONT



DOORS OPEN AT 90 DEGREES

## SIDE



DOORS OPEN AT 90 DEGREES