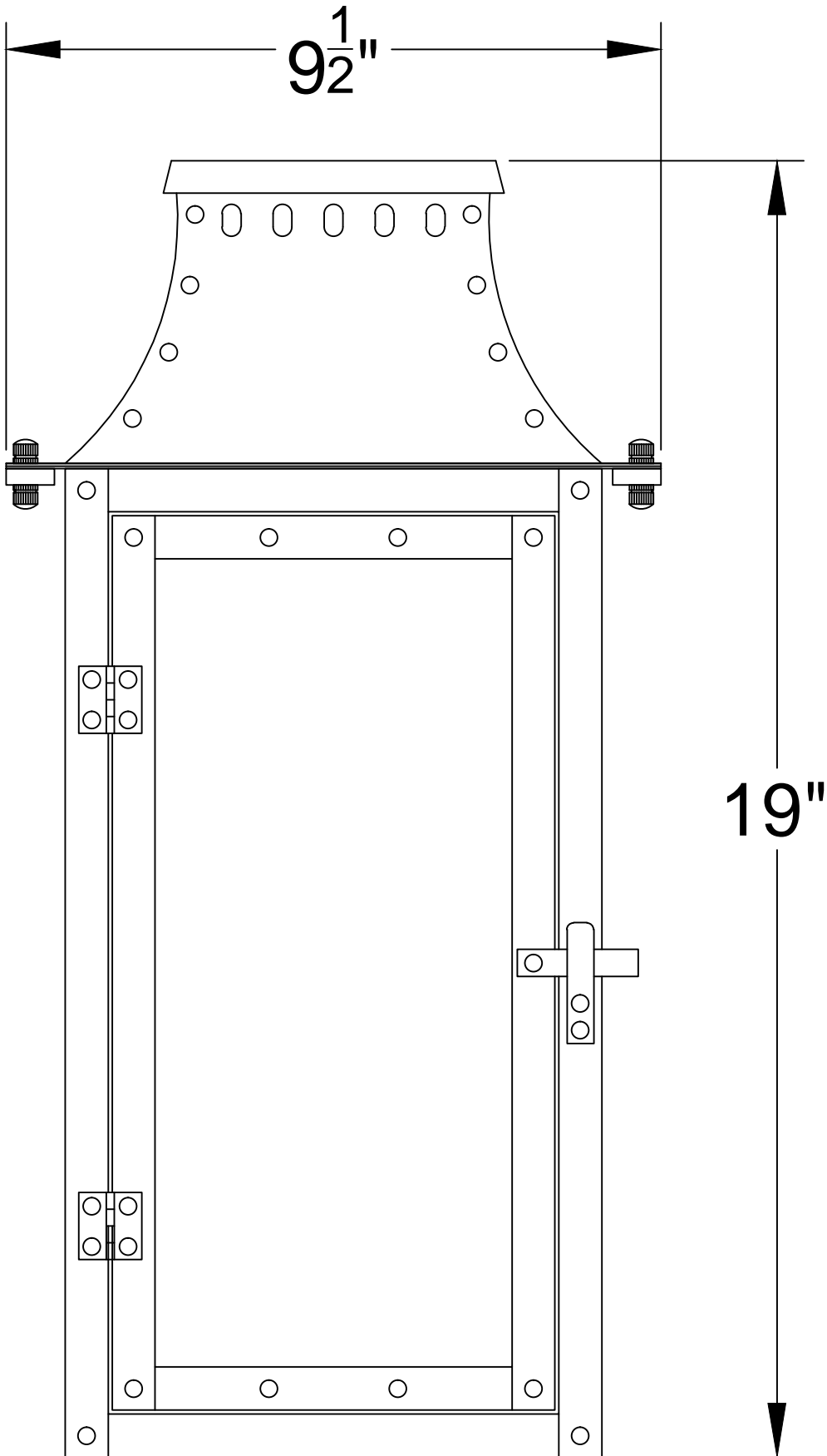
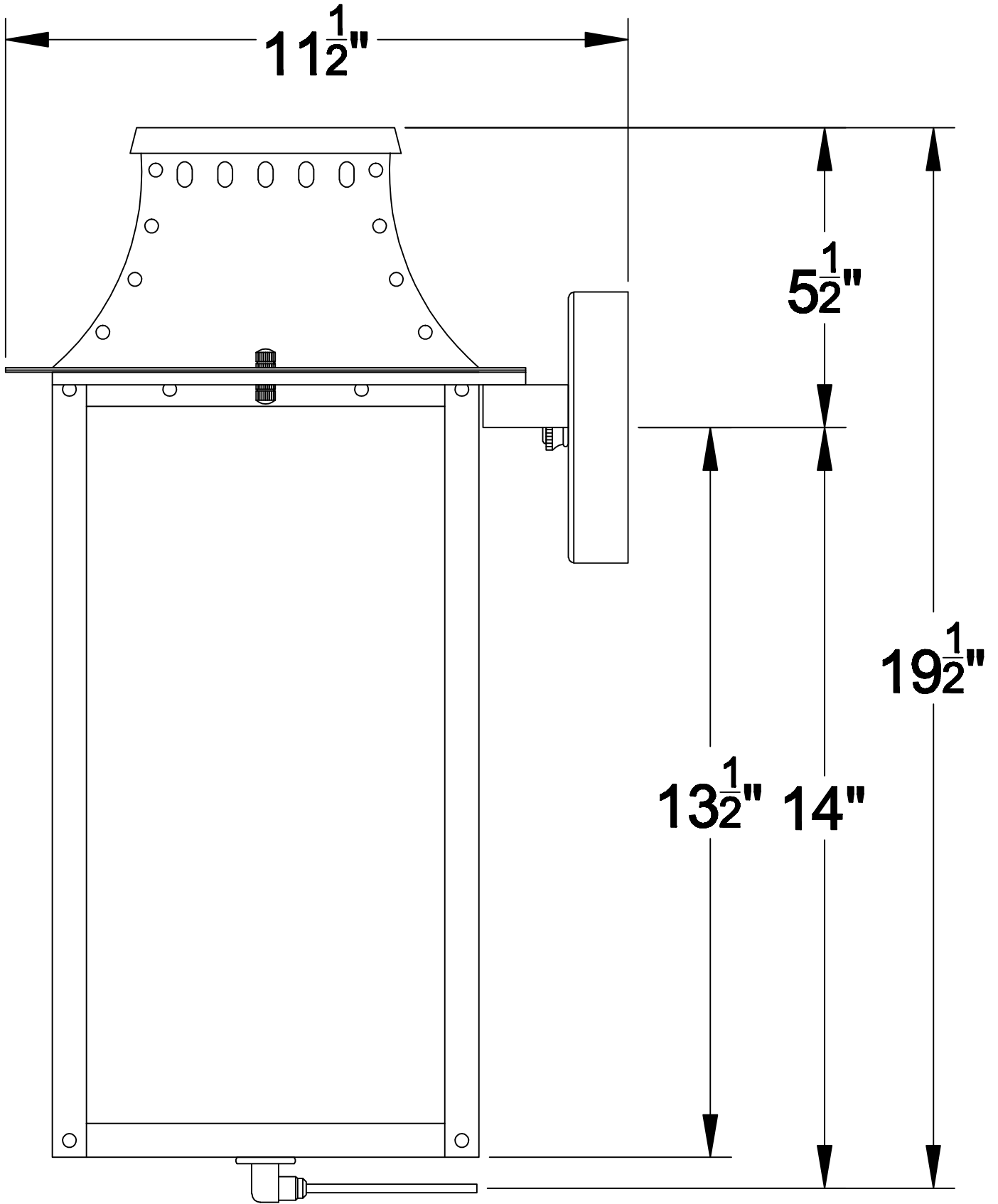


BB-19



Front

BB-19



Side