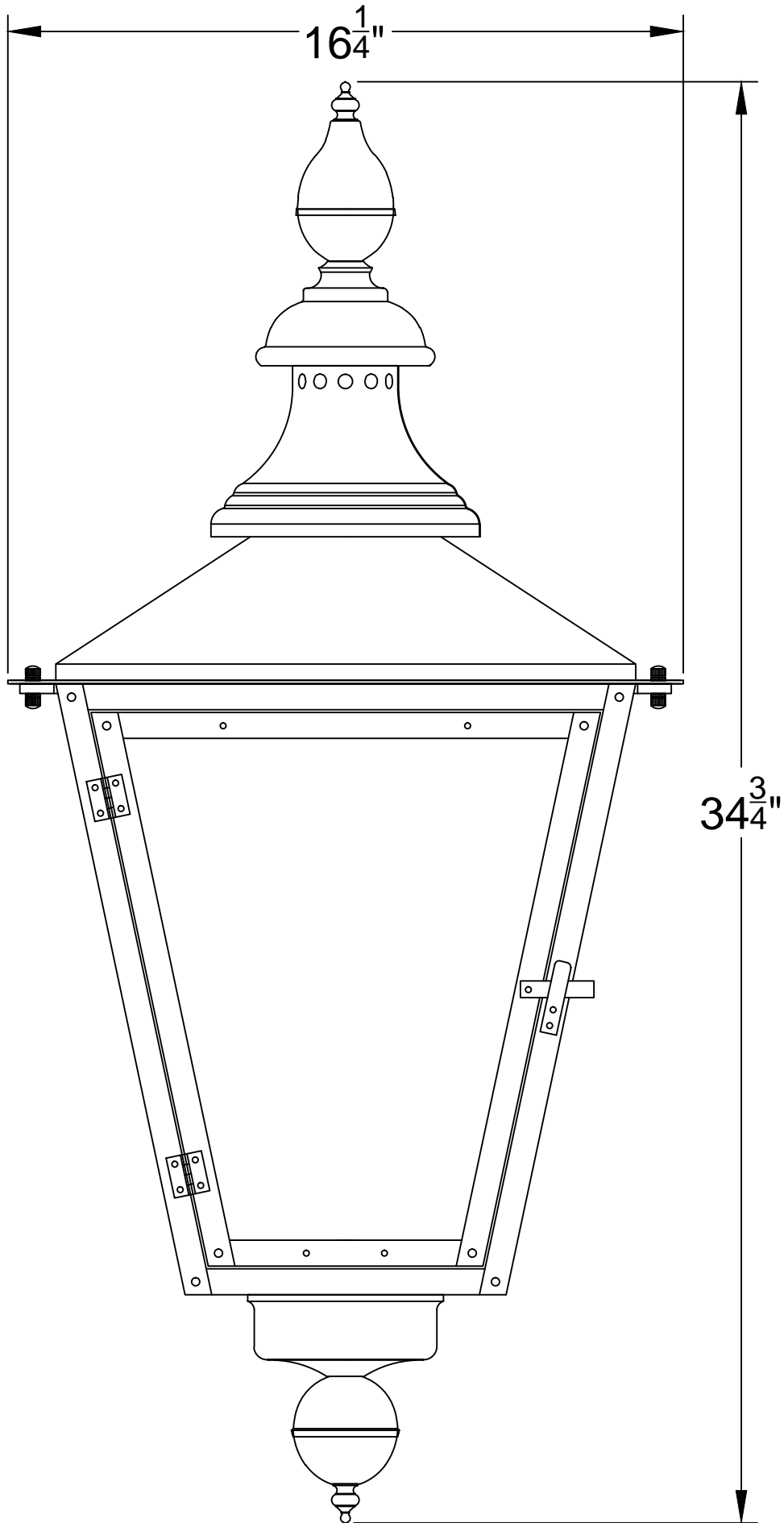
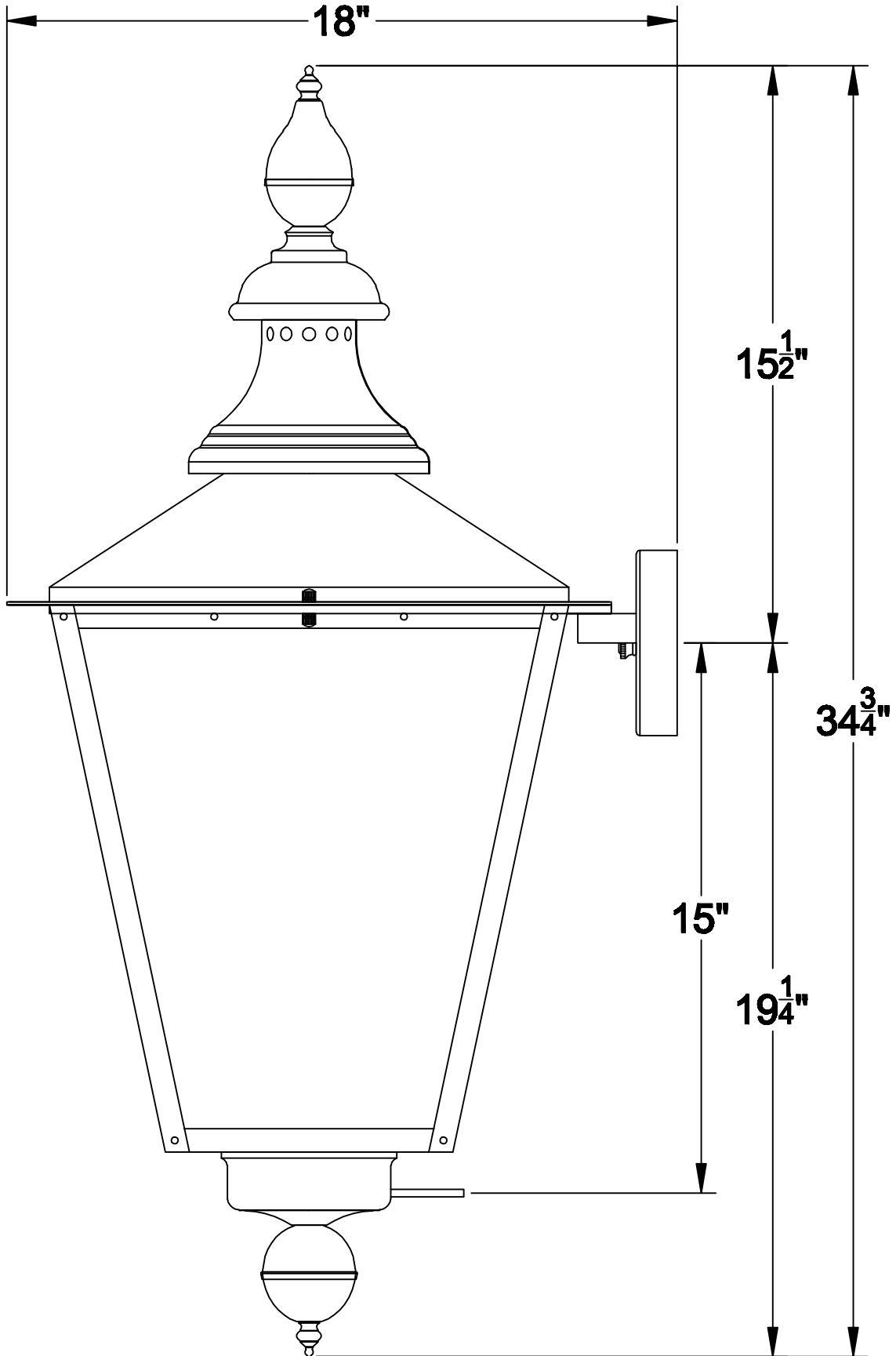


# CT-35



Front

# CT-35



Side