

# TWIN EAGLES DRAWER-DOOR

TEDD302-B | 30 Inch 2-Drawer-Door Combo

## GENERAL

Model TEDD302  
SKU TEDD302-B

## BOX DIMENSIONS

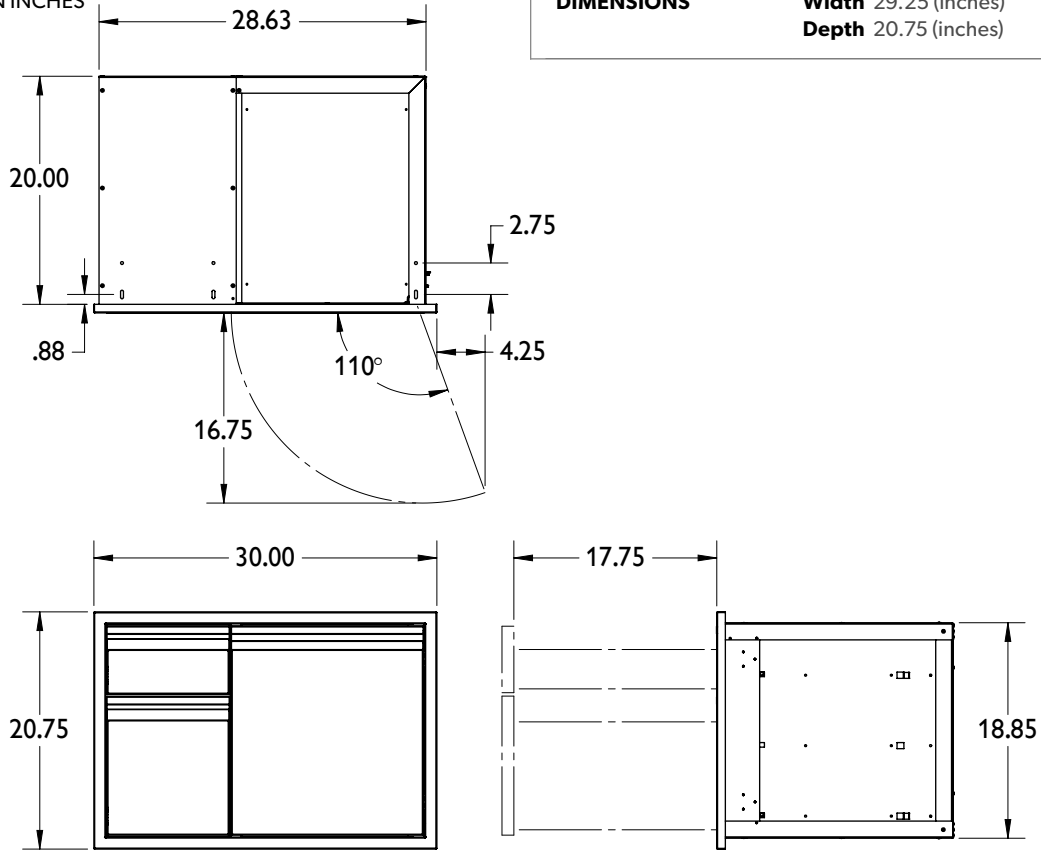
Box 36 x 23 x 26 (inches)  
Shipping Weight 60 lbs

## UNIT DIMENSIONS

DIMENSIONS ARE IN INCHES

## CUTOUT DIMENSIONS

Height 19.00 (inches)  
Width 29.25 (inches)  
Depth 20.75 (inches)



## COUNTER FRONT CUTOUT DIMENSIONS

