

TWIN EAGLES DRAWER-DOOR

TEDD362-B | 36 Inch 2-Drawer-Door Combo

GENERAL

Model TEDD362
SKU TEDD362-B

BOX DIMENSIONS

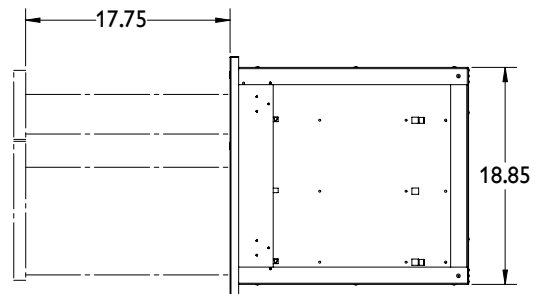
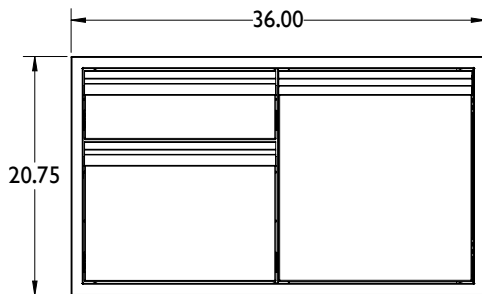
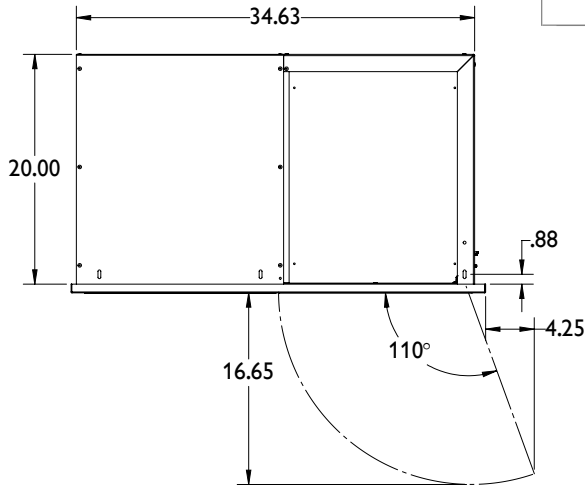
Box 39 x 24 x 23 (inches)
Shipping Weight 69 lbs

UNIT DIMENSIONS

DIMENSIONS ARE IN INCHES

CUTOUT DIMENSIONS

Height 19.00 (inches)
Width 35.25 (inches)
Depth 20.75 (inches)



COUNTER FRONT CUTOUT DIMENSIONS

