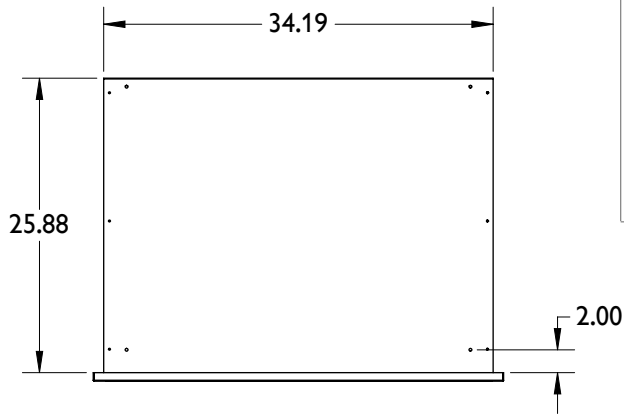


TWIN EAGLES STORAGE DRAWER

TESD361-B | 36 Inch Pellet Storage Drawers

UNIT DIMENSIONS



GENERAL

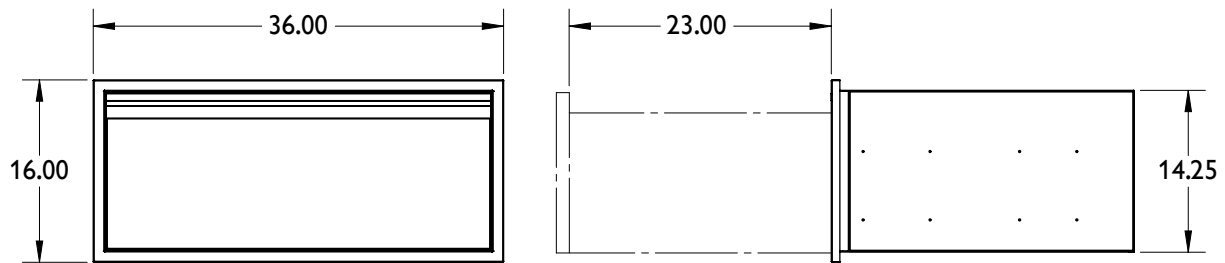
Model TESD361
SKU TESD361-B

BOX DIMENSIONS

Box 39 x 20 x 30 (inches)
Shipping Weight 110 lbs

CUTOUT DIMENSIONS

Height 14.38 (inches)
Width 34.25 (inches)
Depth 26.63 (inches)



COUNTER FRONT CUTOUT DIMENSIONS

