

# TWIN EAGLES WARMING DRAWER

TEWD30-C | 30 Inch Warming Drawer

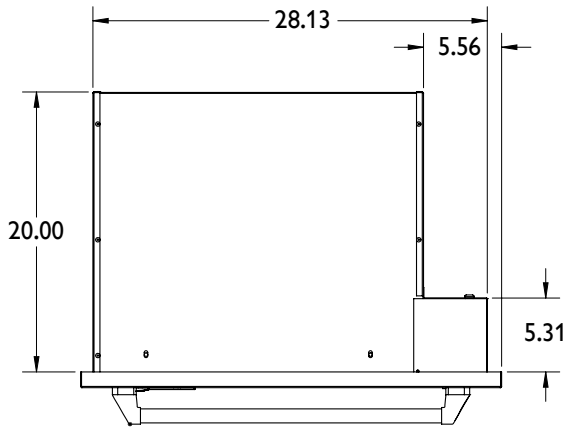
## GENERAL

Model TEWD30  
SKU TEWD30-C

## POWER REQUIREMENTS

**Electrical Requirements** 120V, 4A, 60Hz, 450W  
**Cord Length** 6 feet  
**Receptacle** 3 prong grounding plug

## UNIT DIMENSIONS

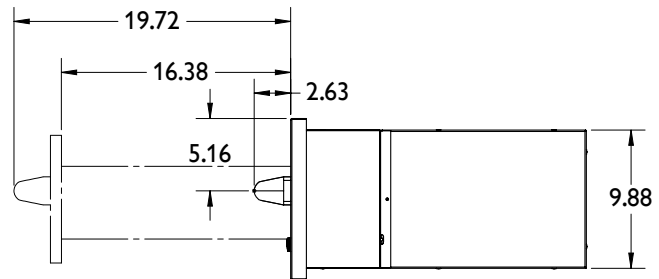
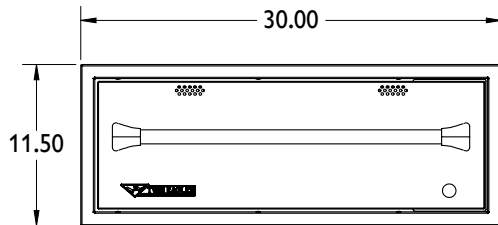


## BOX DIMENSIONS

**Box** 33 x 28 x 15 (inches)  
**Shipping Weight** 78 lbs

## CUTOUT DIMENSIONS

**Height** 10.00 (inches)  
**Width** 28.50 (inches)  
**Depth** 21.25 (inches)



## COUNTER FRONT CUTOUT DIMENSIONS

